

# HC-245 Hedge Trimmer

Taille-Haie  
21.2 cc

S/N: S85113001001 - S85113999999



Optional Attachments & Accessories  
Accessories

Connexions et accessoires facultatifs  
Accessoires

Debris Deflector Shield 99945100010

Bouclier Pare-Débris

**ECHO**<sup>®</sup>

**TABLE OF CONTENTS - TABLE DES MATIÈRES**

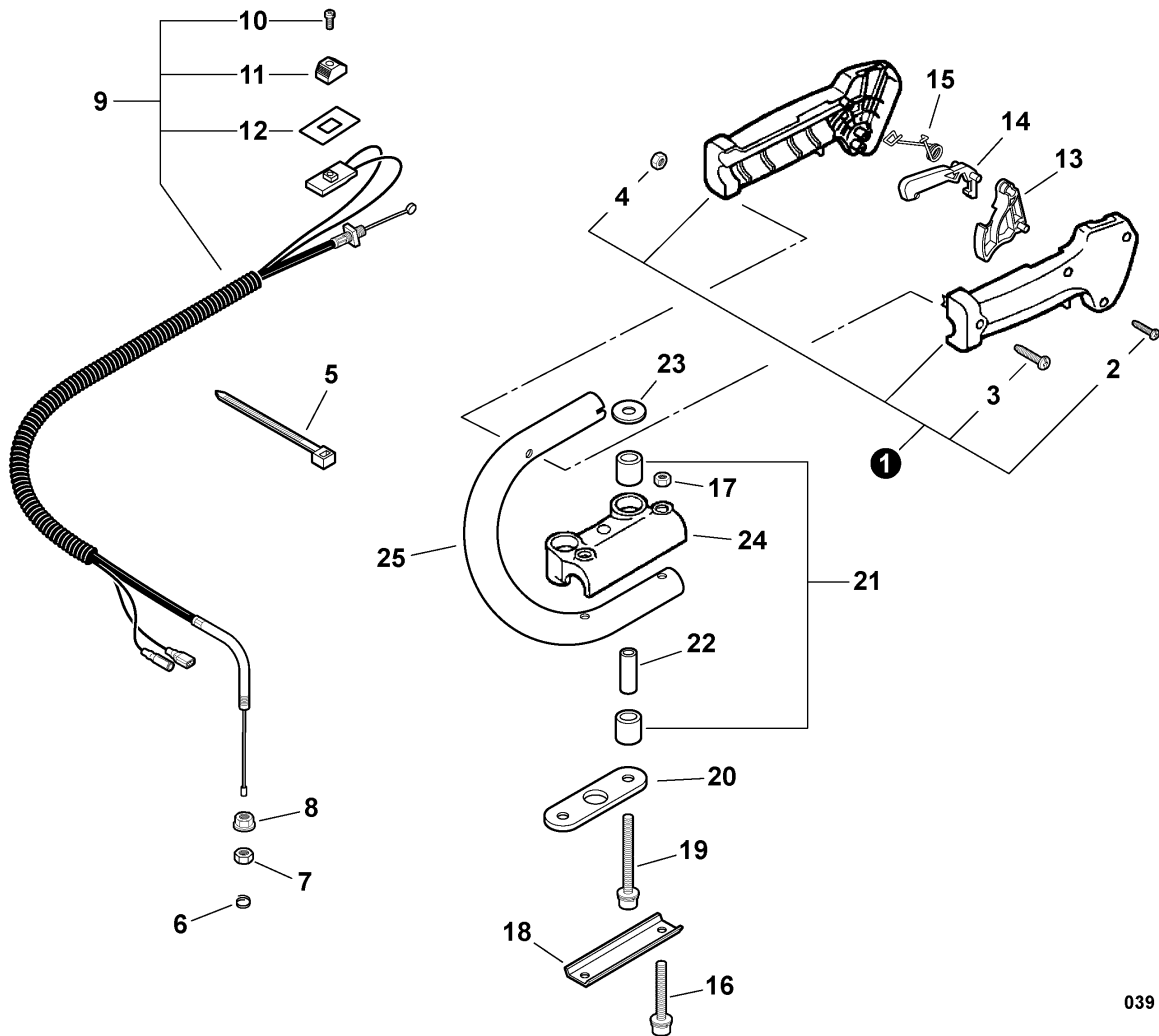
*Click Any Diagram Description Below To View That Diagram*

*Cliquez sur n'importe quelle description de diagramme ci-après pour visualiser ce diagramme*

<b>Rear Handle, Throttle Control</b> .....	<b>3</b>
Poignée Arrière, Commande des Gaz	
<b>Gear Case, Blades, Front Handle</b> .....	<b>4</b>
Boîtier Réducteur, Lames, Poignée Avant	
<b>Clutch</b> .....	<b>6</b>
Embrayage	
<b>Intake</b> .....	<b>7</b>
Admission	
<b>Carburetor -- RB-K91 S/N: S85113001001 - S85113001044</b> .....	<b>8</b>
Carburateur -- RB-K91 N/S: S85113001001 - S85113001044	
<b>Carburetor -- RB-K91A S/N: S85113001045 - S85113999999</b> .....	<b>10</b>
Carburateur -- RB-K91A N/S: S85113001045 - S85113999999	
<b>Exhaust</b> .....	<b>12</b>
Échappement	
<b>Fuel System S/N: S85113001001 - S85113002064</b> .....	<b>13</b>
Système d'alimentation en Carburant N/S: S85113001001 - S85113002064	
<b>Fuel System S/N: S85113002065 - S85113999999</b> .....	<b>14</b>
Système d'alimentation en Carburant N/S: S85113002065 - S85113999999	
<b>Starter</b> .....	<b>15</b>
Démarrreur	
<b>Engine Cover, Debris Guard</b> .....	<b>16</b>
Couvercle du Moteur, Garde Pare-Débris	
<b>Ignition</b> .....	<b>17</b>
Allumage	
<b>Engine, Short Block -- SB1075</b> .....	<b>18</b>
Moteur, Bloc Moteur Embiellé -- SB1075	
<b>Labels</b> .....	<b>19</b>
Étiquettes	
<b>RePower Kits</b> .....	<b>20</b>
Trousses RePower	



***NOTES -- REMARQUES***

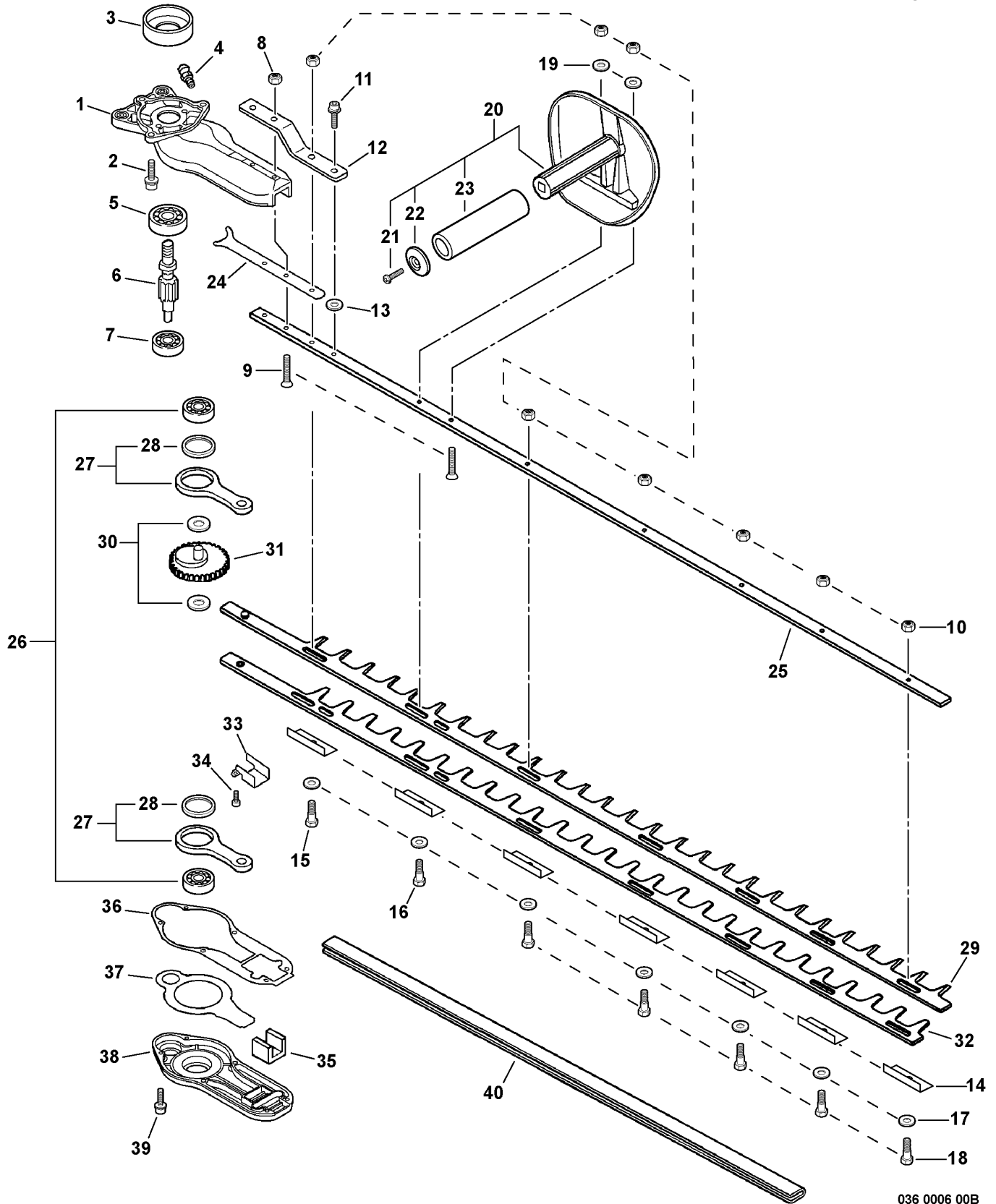


039 0002 000

①	35110247530	1	THROTTLE CONTROL ASSY	ASSEMBL'E COMMANDE ACCÉLÉRATEUR
2	+ 90024603025	4	SCREW - 3X25	VIS - 3X25
3	+ 90022005030	1	SCREW - 5X30	VIS - 5X30
4	+ 90050000005	1	NUT - 5	ÉCROU - 5
5	17812143230	1	TIE, CABLE - SMALL	ATTACHE SANGLE - PETIT
6	V490001100	1	CLIP	ANNEAU
7	90050200006	1	NUT - 6	ÉCROU - 6
8	90051800006	1	NUT - 6 -- FLANGE	ÉCROU À BRIDE - 6
9	V043000230	1	CONTROL CABLE ASSY	ASSEMBL'E CÂBLE COMMANDE
10	+ 90022003010	1	SCREW - 3X10	VIS - 3X10
11	+ 16341049231	1	KNOB, SWITCH - ORANGE	BOUTON, INTERRUPTEUR - ORANGE
12	89015712330	1	COVER, SWITCH - STOP	COUVRE-INTERRUPTEUR
13	17801005960	1	TRIGGER, THROTTLE	GÂCHETTE, ACCÉLÉRATEUR
14	17801205960	1	LOCKOUT, TRIGGER	VERROUILLAGE, GÂCHETTE
15	17801335631	1	SPRING, THROTTLE LOCK	RESSORT, BARRURE ACCÉLÉRATEUR
16	90016205035	2	SCREW - 5X35	VIS - 5X35
17	90050000005	2	NUT - 5	ÉCROU - 5
18	35124301260	1	BRACKET, HANDLE - LOWER	SUPPORT, POIGNÉE - INFÉRIEUR
19	90016205045	2	SCREW - 5X40	VIS - 5X40
20	35124206961	1	PLATE	PLAQUE
21	35122807760	4	CUSHION	COUSSIN
22	35124101260	2	SPACER	ENTRETOISE
23	30021700610	2	WASHER	RONDELLE
24	35121707761	1	BRACKET, HANDLE - UPPER	SUPPORT, POIGNÉE - SUPÉRIEUR
25	C410000170	1	HANDLE - REAR	POIGNÉE - ARRIÈRE

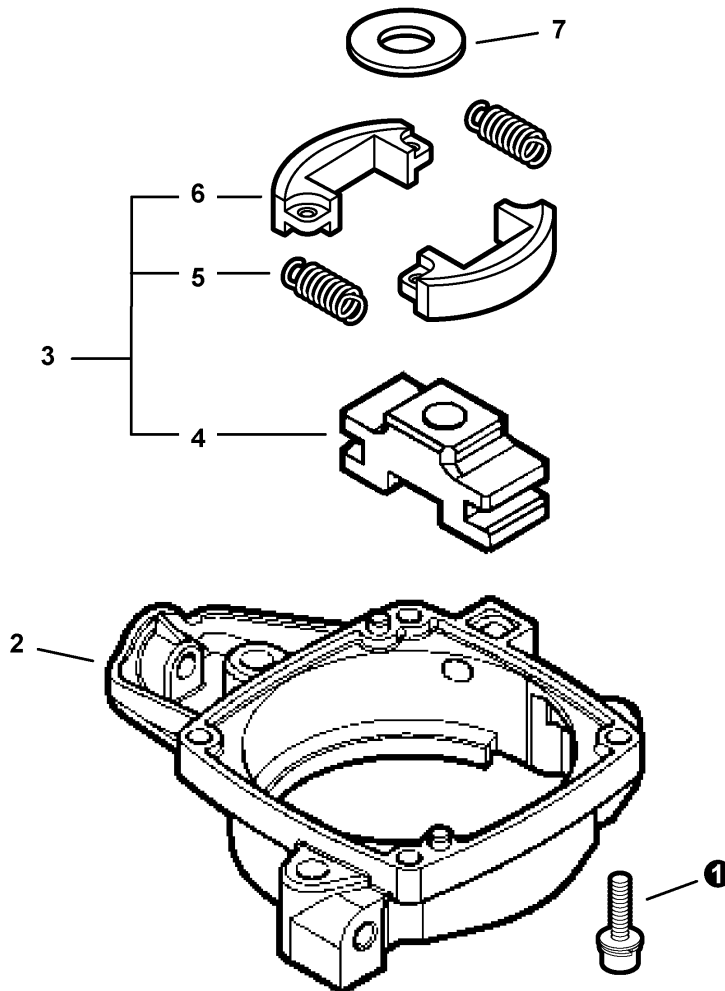
Taille-Haie

Gear Case, Blades, Front Handle  
Boîtier Réducteur, Lames, Poignée Avant



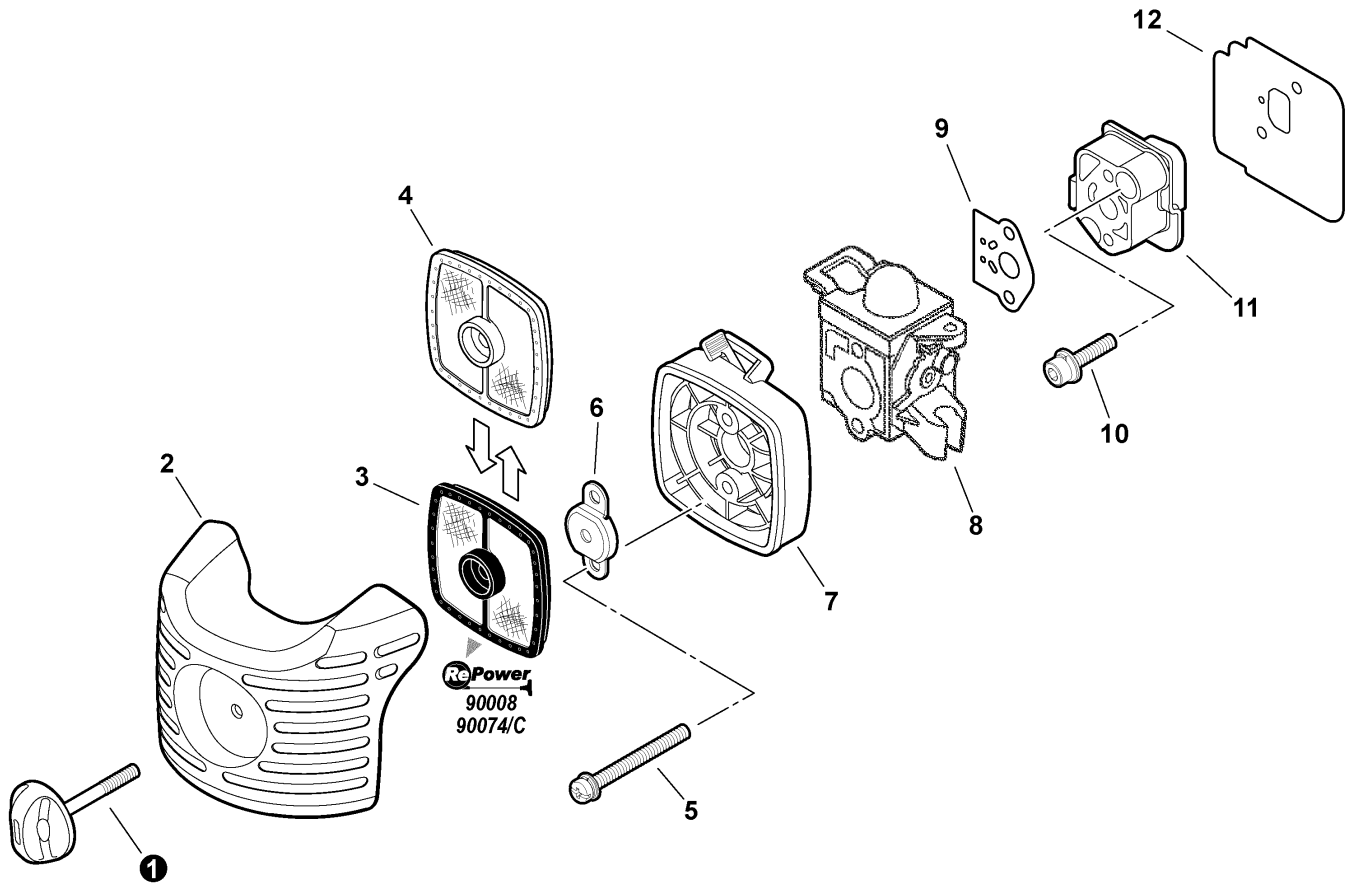
036 0006 00B

①	C531000270	1	CASE, GEAR - UPPER	BOÎTIER, ENGRENAGE - SUPÉRIEUR
2	90016206018	3	SCREW - 6X18	VIS - 6X18
3	A556000500	1	DRUM, CLUTCH	TAMBOUR, EMBRAYAGE
4	88011010860	1	FITTING, GREASE	EMBOU, GRAISSE
5	90081206200	1	BEARING, BALL - 6200	ROULEMENT, BILLES - 6200
6	V650000160	1	GEAR, SPUR	ENGRENAGE DROIT
7	90080400608	1	BEARING, BALL - 608ZZ	ROULEMENT, BILLES - 608ZZ
8	90051800006	2	NUT - 6 -- FLANGE	ÉCROU À BRIDE - 6
9	9110306030	3	SCREW - 6X30	VIS - 6X30
10	43302206460	8	LOCKNUT - 6	CONTRE-ÉCROU - 6
11	90010306012	1	BOLT - 6X12	BOULON - 6X12
12	69921308960	1	BRACKET, ANGLE	SUPPORT, ANGLE
13	90063000006	1	WASHER - 6	RONDELLE - 6
14	69921302063	7	INSULATOR	ISOLATEUR
15	69911505360	1	BOLT - 6X35	BOULON - 6X35
16	35102702060	1	BOLT	BOULON
17	69911801261	7	WASHER	RONDELLE
18	69911502062	5	BOLT	BOULON
19	90060300006	2	WASHER - 6	RONDELLE - 6
20	35120007363	1	FRONT HANDLE ASSY	ASSEMBL'E POIGNÉE AVANT
21	+ 90025305014	1	SCREW - 5X14	VIS - 5X14
22	+ 35121707361	1	CAP	CAPUCHON
23	+ 35101207361	1	GRIP, HANDLE	PRISE, POIGNÉE
24	V150001240	1	PLATE	PLAQUE
25	X425000280	1	SUPPORT, BLADE	SUPPORT, LAME
26	90081006200	2	BEARING, BALL - 6200	ROULEMENT, BILLES - 6200
27	P021008400	2	ROD, CONNECTING	BIELLE
28	+ 61032701261	2	BEARING, NEEDLE	ROULEMENT, AIGUILLES
29	X411000460	1	BLADE - UPPER -- 40"	LAME - SUPÉRIEUR -- 40"
30	V307000050	2	WASHER - 10	RONDELLE - 10
31	V060000030	1	GEAR, SPUR	ENGRENAGE DROIT
32	X411000450	1	BLADE - LOWER -- 40"	LAME - INFÉRIEUR -- 40"
33	C538000090	1	GUIDE, BLADE	GUIDE, LAME
34	90016304016	2	SCREW - 4X16	VIS - 4X16
35	V541000100	1	SEAL	JOINT
36	V110000030	1	GASKET, GEAR CASE	JOINT, BOÎTIER ENGRENAGE
37	C542000020	1	PLATE, GEAR CASE	PLAQUE, BOÎTIER ENGRENAGE
38	C531000280	1	CASE, GEAR - LOWER	BOÎTIER, ENGRENAGE - INFÉRIEUR
39	90016304016	6	SCREW - 4X16	VIS - 4X16
40	89852308960	1	COVER, BLADE	PROTÈGE-LAME



009 0005 VRT

1	90016304016	4	SCREW - 4X16	VIS - 4X16
2	A570000140	1	CASE, CLUTCH	BOÎTIER, EMBRAYAGE
3	A056000190	1	CLUTCH ASSY	ASSEMBL'E EMBRAYAGE
4	+ A552000080	1	HUB, CLUTCH	MOYEU, EMBRAYAGE
5	+ A566000000	2	SPRING, CLUTCH	RESSORT, EMBRAYAGE
6	+ 17501744331	2	SHOE, CLUTCH	SABOT, EMBRAYAGE
7	61035012360	1	WASHER - 8	RONDELLE - 8



005 0009 VRT

①	V299000250	1	THUMBSCREW	VIS À SERRAGE À MAIN
2	A232000400	1	COVER, AIR FILTER	COUVRE-FILTRE, AIR
3	A226001410	1	FILTER, AIR - DOUBLE LAYER	FILTRE, AIR - COUCHE DOUBLE
4	13031054130	1	FILTER, AIR - SINGLE LAYER	FILTRE, AIR - COUCHE UNIQUE
5	90024205065	2	SCREW - 5X65	VIS - 5X65
6	12901152730	1	PLATE, PREVENT	PLAQUE, PRÉVENTION
7	P021012870	1	CASE, AIR FILTER	BOÎTIER, FILTRE À AIR
8	-----	1	CARBURETOR	CARBURATEUR
9	V103000410	1	GASKET, INTAKE	JOINT, ADMISSION
10	A200000300	1	INSULATOR, INTAKE	ISOLATEUR, ADMISSION
11	90016205025	2	SCREW - 5X25	VIS - 5X25
12	V103000180	1	SHIELD, INTAKE	BOUCLIER, ADMISSION
13	90074		RePower TUNE-UP KIT	ENSEMBLE MISE AU POINT
13	90074C		RePower TUNE-UP KIT	ENSEMBLE MISE AU POINT
14	90008		RePower FILTER KIT	ENSEMBLE FILTRATION

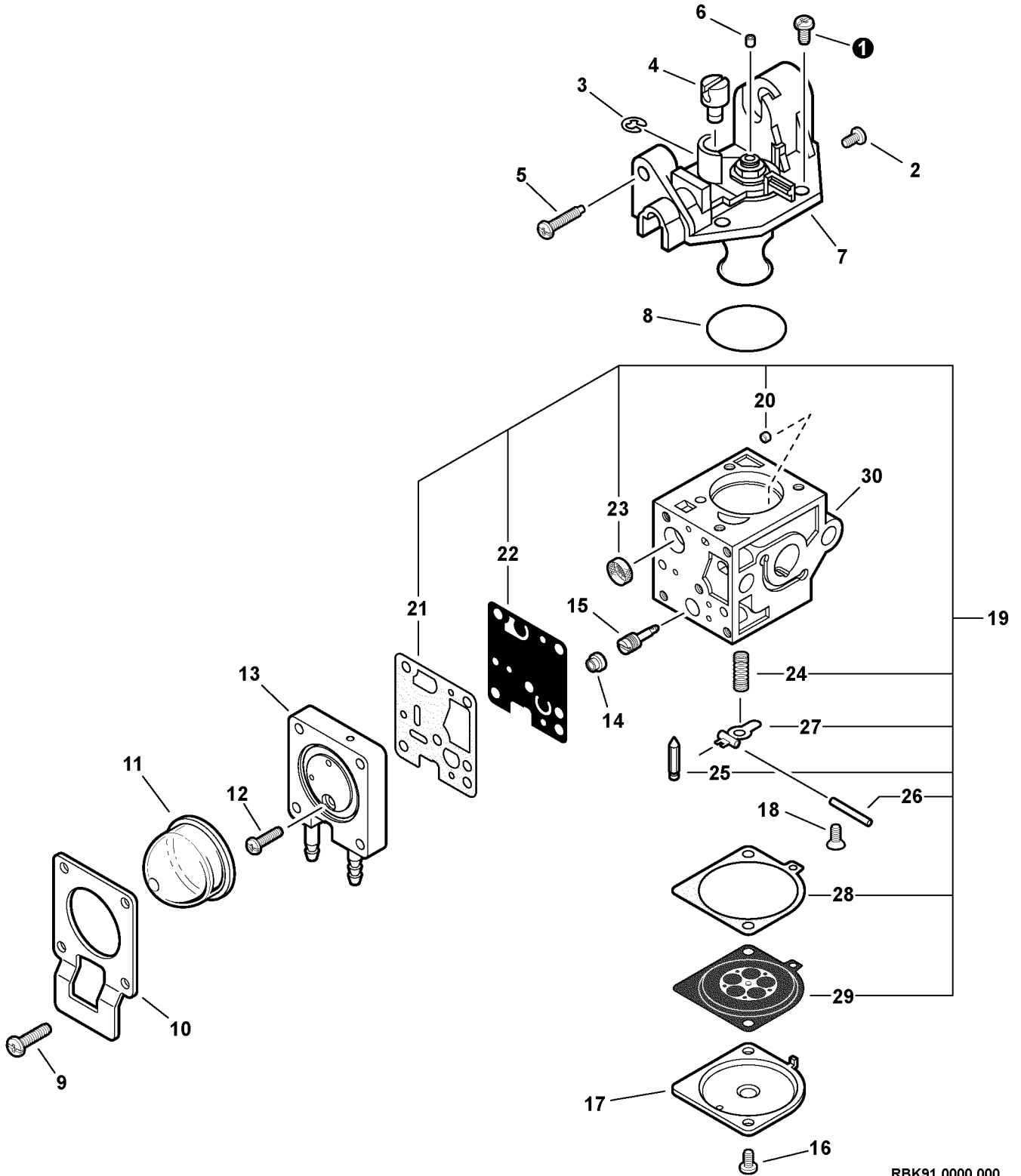


Taille-Haie

Carburetor -- RB-K91

Carburateur -- RB-K91

S/N: S85113001001 - S85113001044



RBK91 0000 000

Taille-Haie

Carburetor -- RB-K91

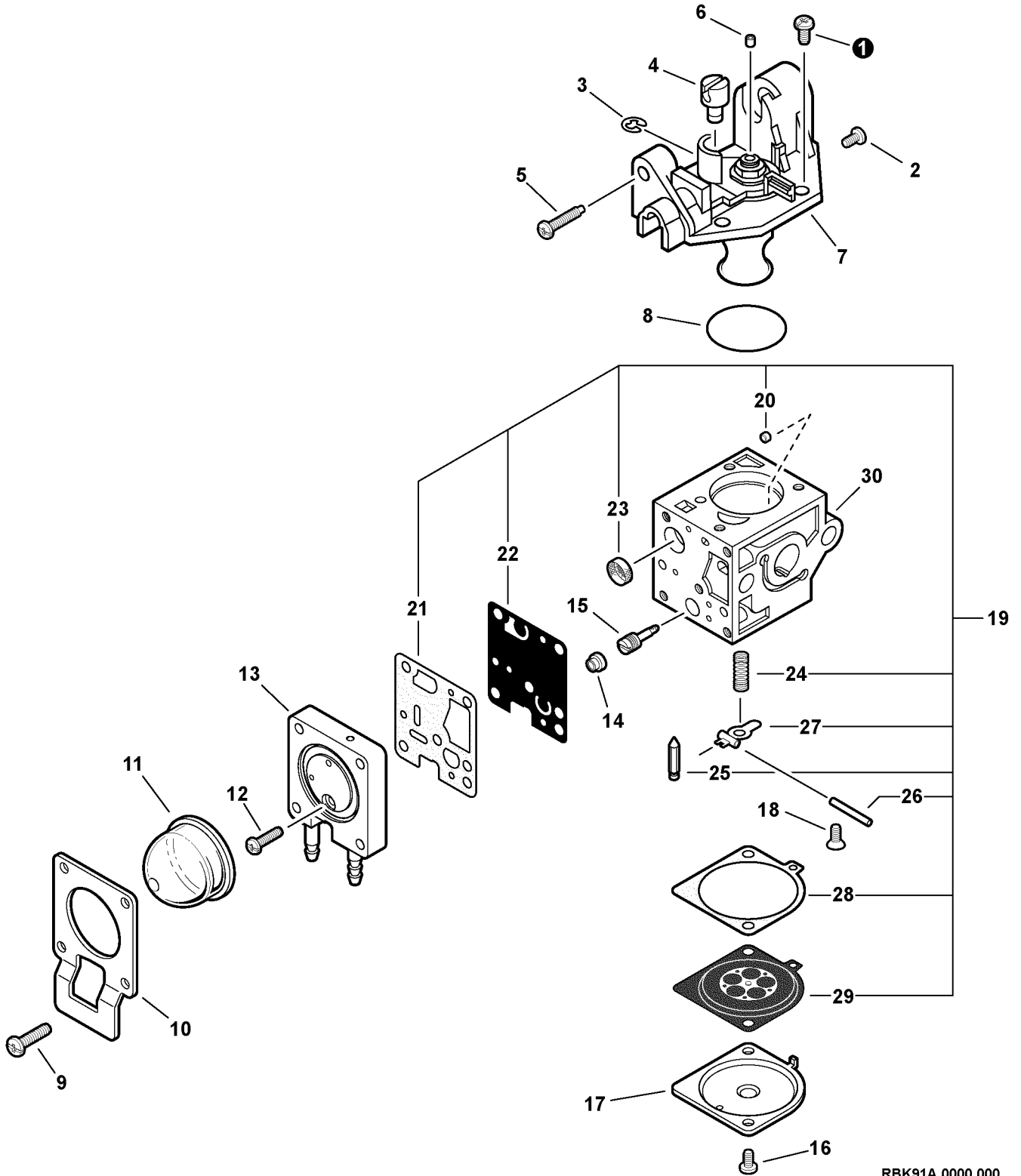
Carburateur -- RB-K91

S/N: S85113001001 - S85113001044

	A021001610	1	CARBURETOR -- RB-K91	CARBURATEUR -- RB-K91
①	+ 12534413931	3	SCREW	VIS
2	+ 12534452130	1	SCREW	VIS
3	+ P005000190	1	RING, RETAINING	BAGUE, RETENUE
4	+ P005002090	1	SWIVEL	PIVOT
5	+ P005000100	1	SCREW, IDLE ADJUST	VIS, RÉGLAGE RALENTI
6	+ P005001270	1	PLUG	BOUCHON
7	+ P005002050	1	ROTOR COVER ASSY	ASSEMBL'E COUVRE-ROTOR
8	+ P005000280	1	O-RING	JOINT TORIQUE
9	+ P005001900	4	SCREW, PURGE BULB RETAINER	VIS, ATTACHE AMPOULE PURGE
10	+ P005000250	1	RETAINER, PURGE BULB	ATTACHE, POIRE, PURGE
11	+ 12538108660	1	BULB, PURGE	POIRE, PURGE
12	+ P005000270	1	SCREW, PURGE BASE	VIS, BASE DE PURGE
13	+ P005001890	1	BASE, PURGE	BASE, PURGE
14	+ P005001270	1	PLUG	BOUCHON
15	+ P005002060	1	NEEDLE - HIGH SPEED	POINTEAU - HAUTE VITESSE
16	+ 12534452130	2	SCREW	VIS
17	+ 12534252130	1	COVER, METERING	COUVRE-DOSAGE
18	+ 12533942030	1	SCREW, METERING LEVER PIN	VIS, GOUPILLE RETENUE
19	+ P005001670	1	REPAIR KIT	ENSEMBLE DE RÉPARATION
20	+ P005001000	1	GUIDE, ROLLER	GUIDE DE ROULEAU
21	+ -----	1	GASKET, PUMP	JOINT, POMPE
22	+ -----	1	DIAPHRAGM, PUMP	MEMBRANE, POMPE
23	+ -----	1	STRAINER	TAMIS
24	+ -----	1	SPRING, METERING LEVER	RESSORT, LEVIER DE DOSAGE
25	+ -----	1	VALVE, INLET NEEDLE	SOUPAPE, POINTEAU D'ADMISSION
26	+ -----	1	PIN, METERING LEVER	GOUPILLE, LEVIER DE DOSAGE
27	+ -----	1	LEVER, METERING	LEVIER, DOSAGE
28	+ -----	1	GASKET, DIAPHRAGM	JOINT, MEMBRANE
29	+ -----	1	DIAPHRAGM, METERING	MEMBRANE, DOSAGE
30	+ -----	1	BODY, CARBURETOR	CORPS, CARBURATEUR

Taille-Haie

Carburetor -- RB-K91A  
Carburateur -- RB-K91A  
S/N: S85113001045 - S85113999999



RBK91A 0000 000

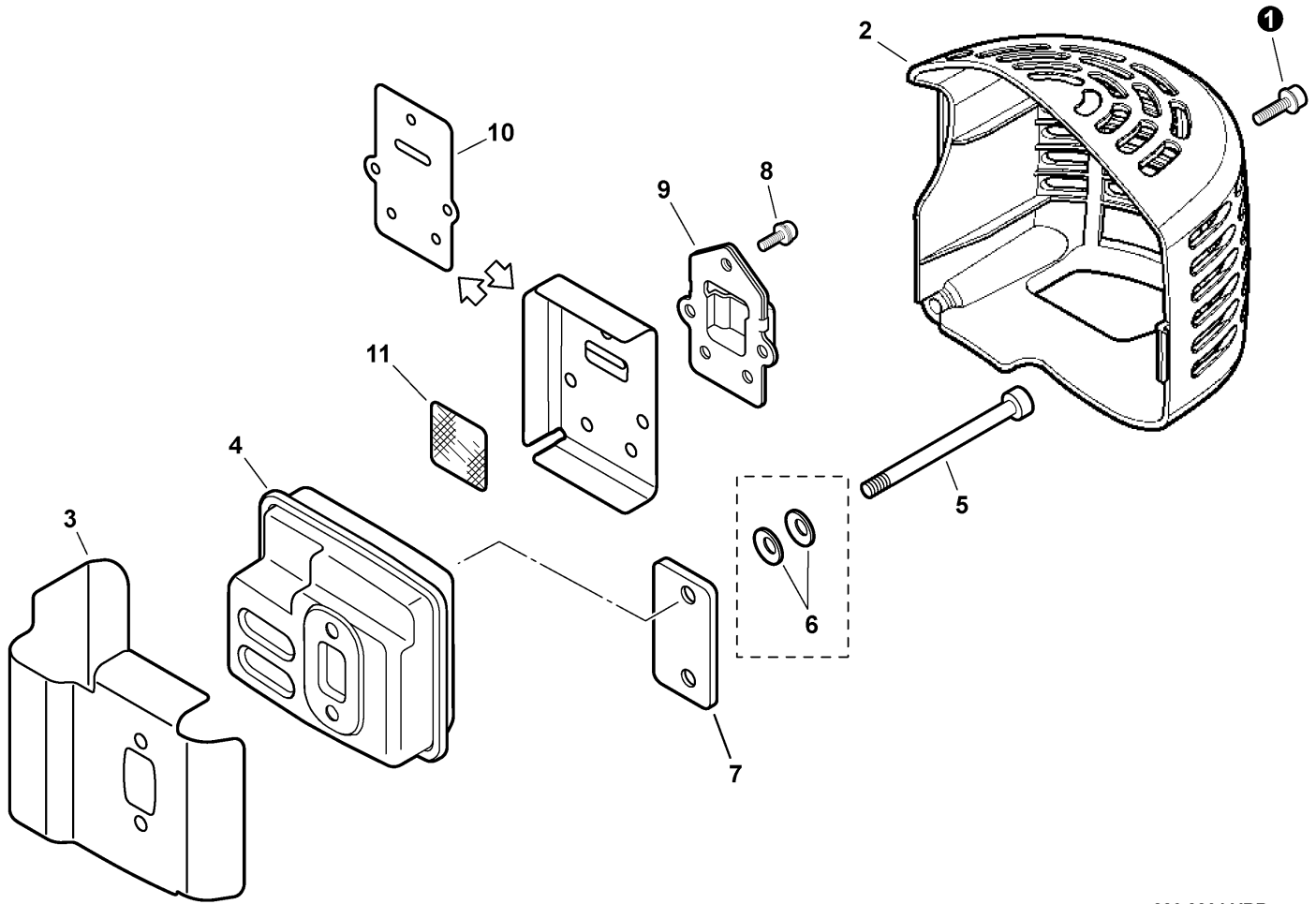
Taille-Haie

Carburator -- RB-K91A

Carburateur -- RB-K91A

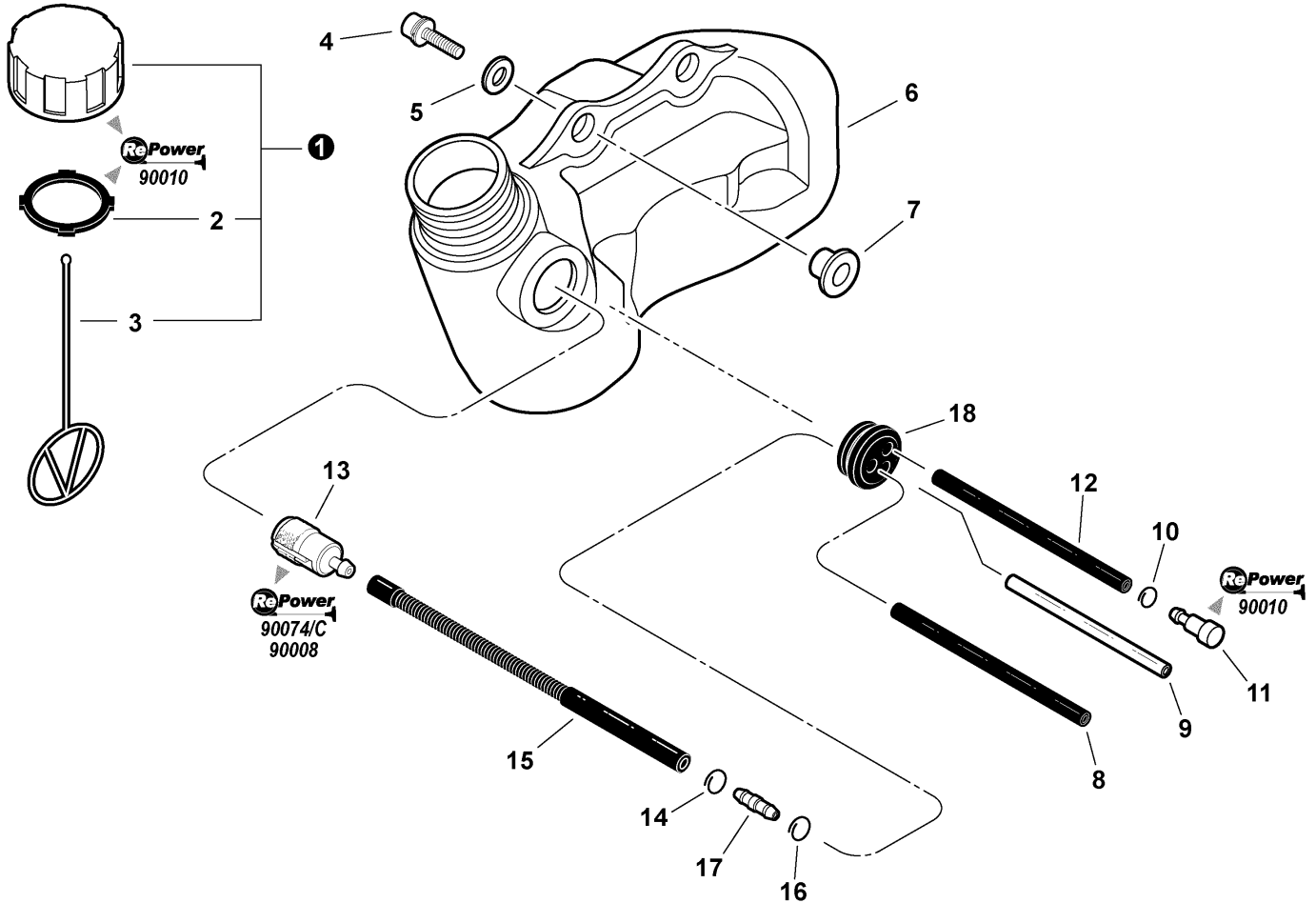
S/N: S85113001045 - S85113999999

	A021001611	1	CARBURETOR -- RB-K91A	CARBURATEUR -- RB-K91A
①	+ 12534413931	3	SCREW	VIS
2	+ 12534452130	1	SCREW	VIS
3	+ P005000190	1	RING, RETAINING	BAGUE, RETENUE
4	+ P005002090	1	SWIVEL	PIVOT
5	+ P005000100	1	SCREW, IDLE ADJUST	VIS, RÉGLAGE RALENTI
6	+ P005001270	1	PLUG	BOUCHON
7	+ P005002050	1	ROTOR COVER ASSY	ASSEMBL'E COUVRE-ROTOR
8	+ P005000280	1	O-RING	JOINT TORIQUE
9	+ P005001900	4	SCREW, PURGE BULB RETAINER	VIS, ATTACHE AMPOULE PURGE
10	+ P005000250	1	RETAINER, PURGE BULB	ATTACHE, POIRE, PURGE
11	+ 12538108660	1	BULB, PURGE	POIRE, PURGE
12	+ P005000270	1	SCREW, PURGE BASE	VIS, BASE DE PURGE
13	+ P005001890	1	BASE, PURGE	BASE, PURGE
14	+ P005001270	1	PLUG	BOUCHON
15	+ P005002060	1	NEEDLE - HIGH SPEED	POINTEAU - HAUTE VITESSE
16	+ 12534452130	2	SCREW	VIS
17	+ 12534252130	1	COVER, METERING	COUVRE-DOSAGE
18	+ 12533942030	1	SCREW, METERING LEVER PIN	VIS, GOUPILLE RETENUE
19	+ P005001670	1	REPAIR KIT	ENSEMBLE DE RÉPARATION
20	+ P005001000	1	GUIDE, ROLLER	GUIDE DE ROULEAU
21	+ -----	1	GASKET, PUMP	JOINT, POMPE
22	+ -----	1	DIAPHRAGM, PUMP	MEMBRANE, POMPE
23	+ -----	1	STRAINER	TAMIS
24	+ -----	1	SPRING, METERING LEVER	RESSORT, LEVIER DE DOSAGE
25	+ -----	1	VALVE, INLET NEEDLE	SOUPAPE, POINTEAU D'ADMISSION
26	+ -----	1	PIN, METERING LEVER	GOUPILLE, LEVIER DE DOSAGE
27	+ -----	1	LEVER, METERING	LEVIER, DOSAGE
28	+ -----	1	GASKET, DIAPHRAGM	JOINT, MEMBRANE
29	+ -----	1	DIAPHRAGM, METERING	MEMBRANE, DOSAGE
30	+ -----	1	BODY, CARBURETOR	CORPS, CARBURATEUR



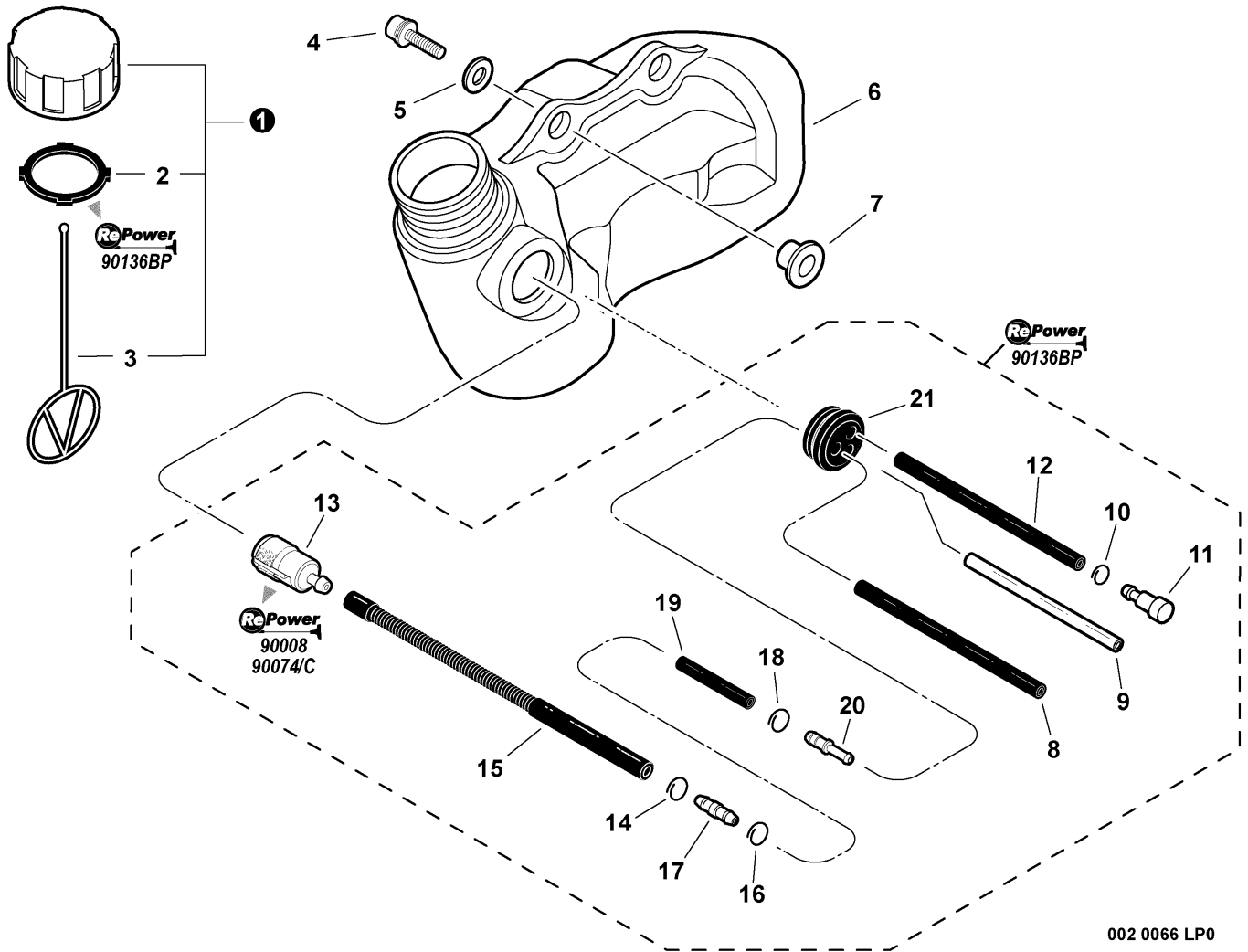
006 0034 VRB

①	9111005016	2	SCREW - 5X16	VIS - 5X16
2	A320000430	1	COVER, EXHAUST	COUVRE-ÉCHAPPEMENT
3	V104000850	1	SHIELD, EXHAUST	BOUCLIER, ÉCHAPPEMENT
4	A300000810	1	MUFFLER	SILENCIEUX
5	90010505055	2	SCREW - 5X55	VIS - 5X50
6	V347000000	4	WASHER - CONICAL	RONDELLE - CONIQUE
7	V150000371	1	PLATE	PLAQUE
8	9136704012	5	SCREW - 4X12	VIS - 4X12
9	A313000600	1	GUIDE, EXHAUST	GUIDE, ÉCHAPPEMENT
10	V104001760	1	GASKET, EXHAUST	JOINT, ÉCHAPPEMENT
11	14586240630	1	SCREEN, SPARK ARRESTOR	ÉCRAN, PARE-ÉTINCELLES



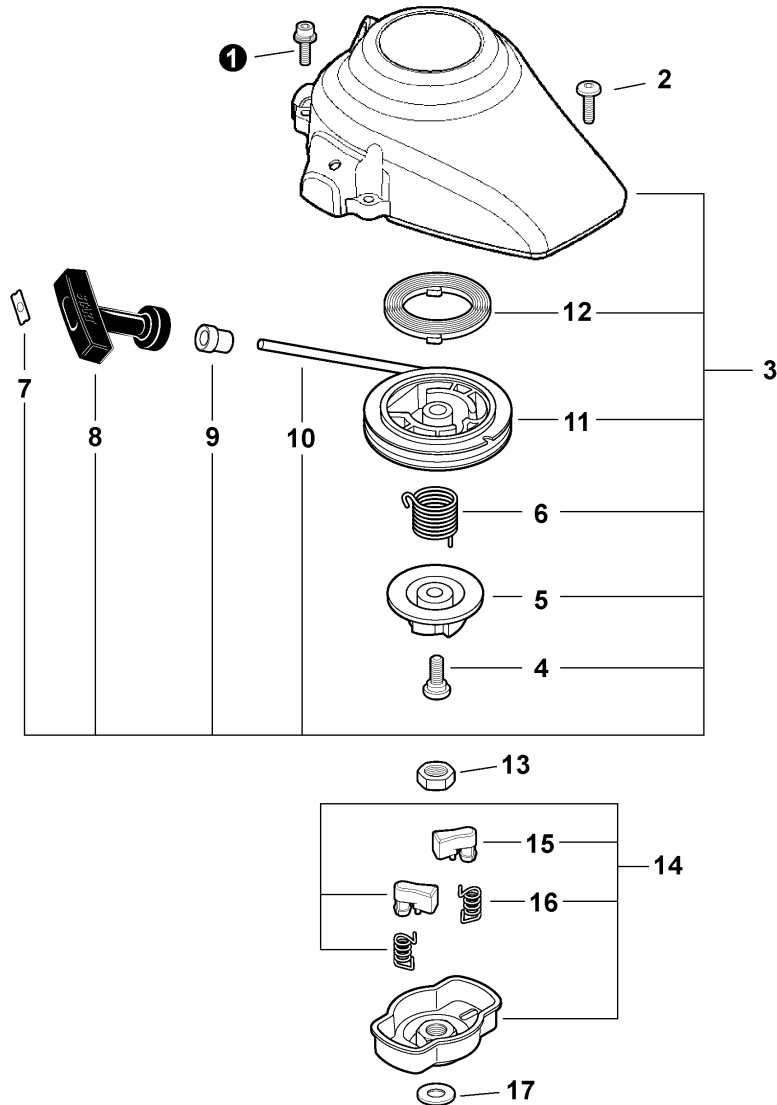
002 0034 VRT

1	P021012210	1	CAP ASSY	ASSEMBL'E CAPUCHON
2	+ 13101655830	1	GASKET, CAP	JOINT, CAPUCHON
3	+ A365000060	1	CONNECTOR, CAP	CONNECTEUR, CAPUCHON
4	90016205020	3	SCREW - 5X20	VIS - 5X20
5	90060300005	3	WASHER - 5	RONDELLE - 5
6	A350000810	1	TANK, FUEL	RÉSERVOIR, ESSENCE
7	V353000231	3	COLLAR	COLLET
8	13011054430	1	PIPE - 3X6X105 -- BLACK	TUYAU - 3X6X105 -- NOIR
9	13201040830	1	PIPE - 3X6X75 -- CLEAR	TUYAU - 3X6X75 -- CLAIR
10	43741119830	1	CLIP - 6.6	ANNEAU - 6.6
11	A356000031	1	VENT, FUEL TANK	ÉVENT, RÉSERVOIR, ESSENCE
12	V471001880	1	PIPE - 3X6X65 -- BLACK	TUYAU - 3X6X65 -- NOIR
13	13120507320	1	FILTER, FUEL	FILTRE, ESSENCE
14	V490001230	1	CLIP - 6.5	ANNEAU - 6.5
15	13201212361	1	PIPE, FUEL - CORRUGATED	TUYAU, ESSENCE - ONDULÉ
16	13201309820	1	CLIP - 6	ANNEAU - 6
17	V186000020	1	CONNECTOR, PIPE	CONNECTEUR, TUYAU
18	13211555930	1	GROMMET	OEUillet
19	90008		RePower FILTER KIT	ENSEMBLE FILTRATION
20	90010		Repower CAP AND VENT KIT	ENSEMBLE CONDUIT/CAPUCHON
21	90074		RePower TUNE-UP KIT	ENSEMBLE MISE AU POINT
21	90074C		RePower TUNE-UP KIT	ENSEMBLE MISE AU POINT



002 0066 LP0

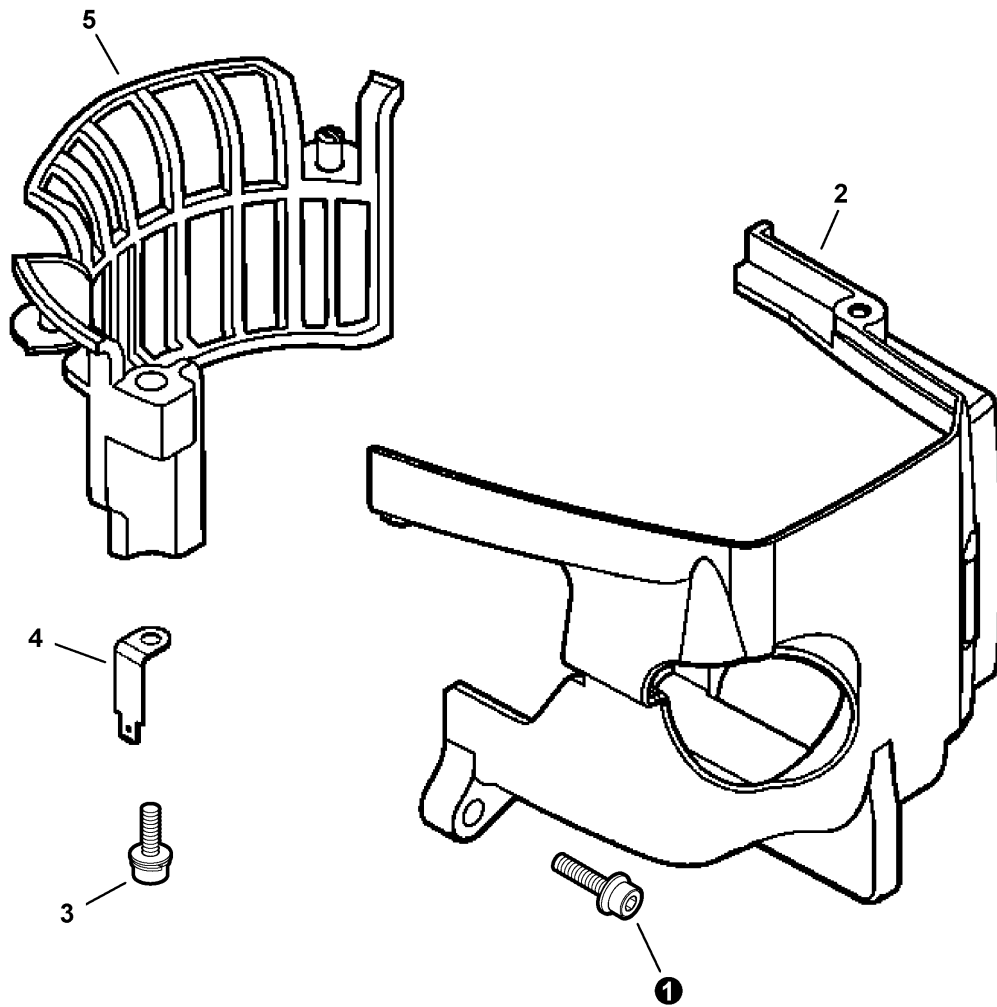
1	P021040430	1	CAP ASSY	ASSEMBL'E CAPUCHON
2	+ V107000150	1	GASKET, CAP	JOINT, CAPUCHON
3	+ A365000060	1	CONNECTOR, CAP	CONNECTEUR, CAPUCHON
4	90016205020	3	SCREW - 5X20	VIS - 5X20
5	90060300005	3	WASHER - 5	RONDELLE - 5
6	A350000810	1	TANK, FUEL	RÉSERVOIR, ESSENCE
7	V353000231	3	COLLAR	COLLET
8	V471003670	1	PIPE, UPPER - 3X5X61 -- BLACK	PIPE, UPPER - 3X5X61 -- BLACK
9	13201040830	1	PIPE - 3X6X75 -- CLEAR	TUYAU - 3X6X75 -- CLAIR
10	V490001240	1	CLIP - 6	ANNEAU - 6
11	A356000031	1	VENT, FUEL TANK	ÉVENT, RÉSERVOIR, ESSENCE
12	V471003680	1	PIPE - 3X6X50 -- BLACK	TUYAU - 3X6X50 -- NOIR
13	13120507320	1	FILTER, FUEL	FILTRE, ESSENCE
14	43741119830	1	CLIP - 6.6	ANNEAU - 6.6
15	13201212361	1	PIPE, FUEL - CORRUGATED	TUYAU, ESSENCE - ONDULÉ
16	V491001230	1	CLIP - 6.5	ANNEAU - 6.5
17	V186000510	1	CONNECTOR, PIPE	CONNECTEUR, TUYAU
18	V491001230	1	CLIP - 6.5	ANNEAU - 6.5
19	V471001180	1	PIPE - 3X6X35 -- BLACK	TUYAU - 3X6X35 -- NOIR
20	V186000520	1	CONNECTOR, FUEL PIPE	CONNECTEUR, TUYAU À ESSENCE
21	13211555930	1	GROMMET	OUILLET
22	90008		RePower FILTER KIT	ENSEMBLE FILTRATION
23	90074		RePower TUNE-UP KIT	ENSEMBLE MISE AU POINT
23	90074C		RePower TUNE-UP KIT	ENSEMBLE MISE AU POINT
24	90136BP		RePower FUEL SYSTEM KIT	ENSEMBLE D'INSTALLATION CARBURANT



004 0032 VRT

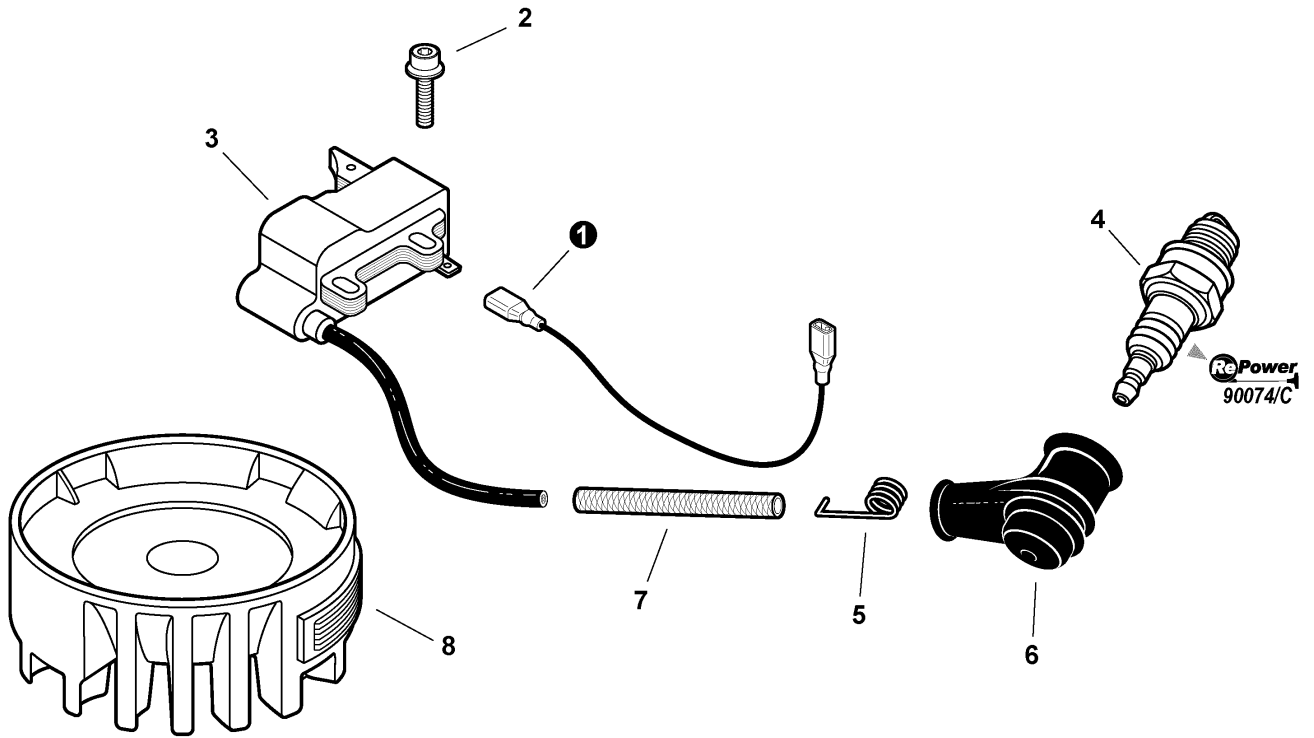
①	90016304016	4	SCREW - 4X16	VIS - 4X16
2	V202000030	1	SCREW - 4	VIS - 4
3	A051001110	1	STARTER ASSY	ASSEMBL'E DÉMARREUR
4	+ 17723661830	1	SCREW	VIS
5	+ A507000030	1	CATCHER, PAWL	RECEPTEUR, CLIQUET
6	+ V452000150	1	SPRING	RESSORT
7	+ 17724611120	1	RETAINER, ROPE	ATTACHE, CORDE
8	+ 17722827030	1	GRIP, STARTER	PRISE, DÉMARREUR
9	+ 17722742030	1	GUIDE, ROPE	GUIDE, CORDE
10	+ P022008260	1	ROPE, STARTER - 3X700	CORDE, DÉMARREUR - 3X700
11	+ P022006830	1	REEL, ROPE	MOULINET, CORDE
12	+ 17722042030	1	SPRING, REWIND	RESSORT, REBOBINAGE
13	90051200008	1	NUT - LEFT HAND	ÉCROU - GAUCHER
14	A052000210	1	STARTER PAWL ASSY	ASSEMBL'E CLIQUET DÉMARREUR
15	+ P022020030	2	PAWL, STARTER	CLIQUET, DÉMARREUR
16	+ P022007980	2	SPRING, RETURN	RESSORT, RAPPEL
17	90060000008	1	WASHER - 8	RONDELLE - 8





001 0019 VRT

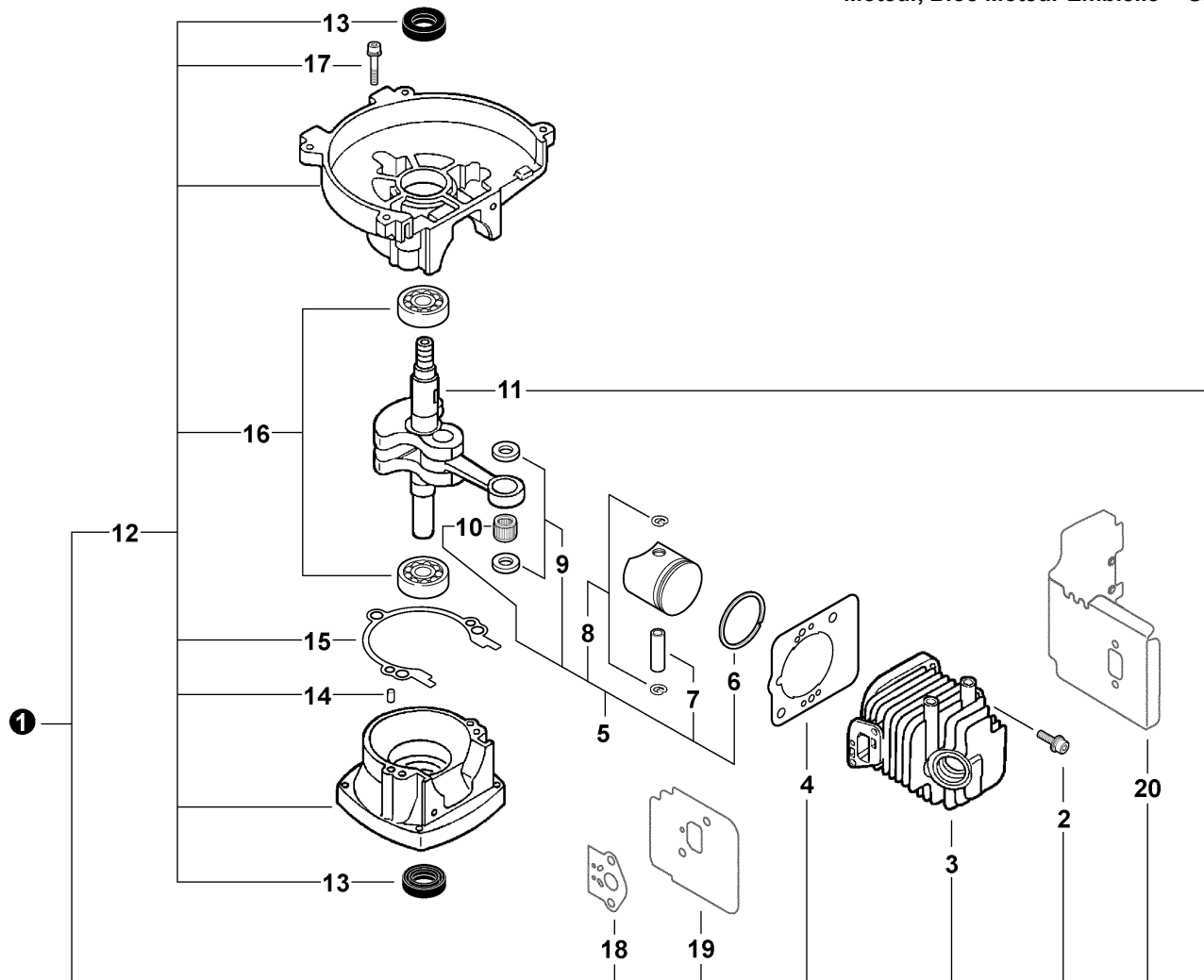
①	9111005016	1	SCREW - 5X16	VIS - 5X16
2	A160000880	1	COVER, ENGINE	COUVRE-MOTEUR
3	90016205016	1	SCREW - 5X16	VIS - 5X16
4	C152000410	1	TERMINAL - GROUND	BORNE - TERRE
5	A127000170	1	GUARD, DEBRIS	PROTECTEUR DE DÉBRIS



007 0033 VRT

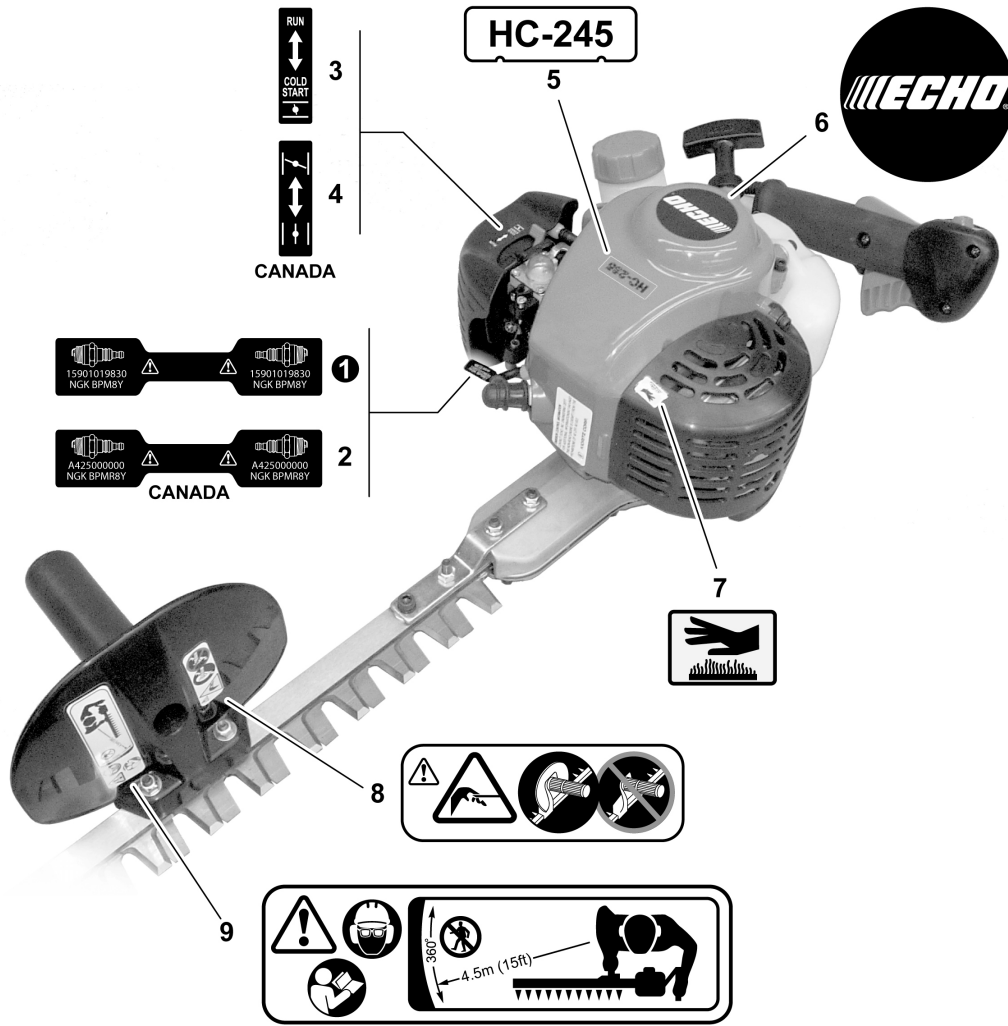
①	V485000870	1	LEAD - IGNITION	FIL - ALLUMAGE
2	9111304020	2	SCREW - 4X20	VIS - 4X20
3	A411000130	1	COIL, IGNITION	BOBINE, ALLUMAGE
4	15901019830	1	SPARK PLUG -- BPM-8Y	BOUGIE D'ALLUMAGE -- BPM-8Y
4	A425000000	1	SPARK PLUG -- BPMR-8Y	BOUGIE D'ALLUMAGE -- BPMR-8Y
5	A426000010	1	TERMINAL, SPARK PLUG CAP	BORNE, CAPUCHON BOUGIE ALLUMAGE
6	A427000013	1	CAP, SPARK PLUG	CAPUCHON, BOUGIE
7	V475001610	1	TUBE, INSULATOR	TUYAU, ISOLANT
8	A409000210	1	FLYWHEEL	VOLANT
9	90074		RePower TUNE-UP KIT	ENSEMBLE MISE AU POINT
9	90074C		RePower TUNE-UP KIT	ENSEMBLE MISE AU POINT

Taille-Haie

 Engine, Short Block -- SB1075  
 Moteur, Bloc Moteur Embiellé -- SB1075


SB1075 0000 000

<b>1</b>	SB1075	1	SHORT BLOCK -- SB1075	BLOC COURT -- SB1075
2	+ 90016205022	2	SCREW - 5X22	VIS - 5X25
3	+ A130000550	1	CYLINDER	CYLINDRE
4	+ V100000160	1	GASKET, CYLINDER	JOINT, CYLINDRE
5	+ P021007772	1	PISTON KIT	ENSEMBLE DE PISTON
6	+ A101000090	1	RING, PISTON	SEGMENT, PISTON
7	+ 10001311520	1	PIN, PISTON	AXE, PISTON
8	+ 10001504630	2	RING, RETAINING	BAGUE, RETENUE
9	+ 10001408960	2	WASHER	RONDELLE
10	+ 10011305930	1	BEARING, NEEDLE - 8	ROULEMENT, AIGUILLES - 8
11	+ A011000223	1	CRANKSHAFT ASSY	ASSEMBL'E VILEBREQUIN
12	+ 10020452132	1	CRANKCASE KIT	ENSEMBLE DE CARTER
13	+ 10021242031	2	SEAL, OIL	JOINT, HUILE
14	+ V622000020	2	PIN, LOCATING	PIN, LOCATING
15	+ 10024242030	1	GASKET, CRANKCASE	JOINT, CARTER
16	+ 9403536201	2	BEARING, BALL - 6201	ROULEMENT, BILLES - 6201
17	+ 90016205028	3	SCREW - 5X28	VIS - 5X28
18	+ -----	1	SHIELD, EXHAUST	BOUCLIER, ÉCHAPPEMENT
19	+ -----	1	SHIELD, INTAKE	BOUCLIER, ADMISSION
20	+ -----	1	GASKET, INTAKE	JOINT, ADMISSION



100 0045 245

1	X532000671	1	LABEL - SPARK PLUG -- BPM-8Y	ÉTIQUETTE - BOUGIE D'ALLUMAGE -- BPM-8Y
2	X532000720	1	LABEL - SPARK PLUG -- BPMR-8Y	ÉTIQUETTE - BOUGIE D'ALLUMAGE -- BPMR-8Y
3	X506000110	1	LABEL - CHOKE	ÉTIQUETTE - ÉTRANGLEUR
4	89033252730	1	LABEL - CHOKE	ÉTIQUETTE - ÉTRANGLEUR
5	X503008630	1	LABEL - MODEL -- HC-245	ÉTIQUETTE - MODÈLE -- HC-245
6	X502000330	1	LABEL - ECHO	ÉTIQUETTE - ECHO
7	X505002310	1	LABEL - HOT SURFACE	ÉTIQUETTE - SURFACE CHAUDE
8	X505000280	1	LABEL - CAUTION	ÉTIQUETTE - AVERTISSEMENT
9	X505000270	1	LABEL - CAUTION	ÉTIQUETTE - AVERTISSEMENT

<b>1</b>	<b>90008</b>	<b>1</b>	<b>RePower FILTER KIT</b>	<b>ENSEMBLE FILTRATION</b>
2	+ -----	1	FILTER, AIR - DOUBLE LAYER	FILTRE, AIR - COUCHE DOUBLE
3	+ -----	1	FILTER, FUEL	FILTRE, ESSENCE
4	<b>90010</b>	<b>1</b>	<b>Repower CAP AND VENT KIT</b>	<b>ENSEMBLE CONDUIT/CAPUCHON</b>
5	+ -----	1	CAP	CAPUCHON
6	+ -----	1	GASKET, CAP	JOINT, CAPUCHON
7	+ -----	1	VENT, FUEL TANK	ÉVENT, RÉSERVOIR, ESSENCE
8	<b>90074</b>	<b>1</b>	<b>RePower TUNE-UP KIT</b>	<b>ENSEMBLE MISE AU POINT</b>
9	+ -----	1	FILTER, AIR - DOUBLE LAYER	FILTRE, AIR - COUCHE DOUBLE
10	+ -----	1	FILTER, FUEL	FILTRE, ESSENCE
11	+ -----	1	SPARK PLUG -- BPM-8Y	BOUGIE D'ALLUMAGE -- BPM-8Y
12	+ <b>90074C</b>	<b>1</b>	<b>RePower TUNE-UP KIT</b>	<b>ENSEMBLE MISE AU POINT</b>
13	+ -----	1	FILTER, AIR - DOUBLE LAYER	FILTRE, AIR - COUCHE DOUBLE
14	+ -----	1	FILTER, FUEL	FILTRE, ESSENCE
15	+ -----	1	SPARK PLUG -- BPMR-8Y	BOUGIE D'ALLUMAGE -- BPMR-8Y
16	<b>90136BP</b>	<b>1</b>	<b>RePower FUEL SYSTEM KIT</b>	<b>ENSEMBLE D'INSTALLATION CARBURANT</b>
17	+ -----	1	CLIP - 6	ANNEAU - 6
18	+ -----	2	CLIP - 6.5	ANNEAU - 6.5
19	+ -----	1	CLIP - 6.6	ANNEAU - 6.6
20	+ -----	1	CONNECTOR, FUEL PIPE	CONNECTEUR, TUYAU À ESSENCE
21	+ -----	1	FILTER, FUEL	FILTRE, ESSENCE
22	+ -----	1	GASKET, CAP	JOINT, CAPUCHON
23	+ -----	1	GROMMET	OEILLET
24	+ -----	1	PIPE - 3X5X61 -- BLACK	TUYAU - 3X5X61 -- NOIR
25	+ -----	1	PIPE - 3X6X35 -- BLACK	TUYAU - 3X6X35 -- NOIR
26	+ -----	1	PIPE - 3X6X50 -- BLACK	TUYAU - 3X6X50 -- NOIR
27	+ -----	1	PIPE - 3X6X75 -- CLEAR	TUYAU - 3X6X75 -- CLAIR
28	+ -----	1	PIPE, FUEL - CORRUGATED	TUYAU, ESSENCE - ONDULÉ
29	+ -----	1	VENT, FUEL TANK	ÉVENT, RÉSERVOIR, ESSENCE
30	<b>P021013500</b>	<b>1</b>	<b>GASKET KIT</b>	<b>ENSEMBLE DE JOINTS</b>
31	+ -----	1	GASKET, CYLINDER	JOINT, CYLINDRE
32	+ -----	1	GASKET, INTAKE	JOINT, ADMISSION
33	+ -----	1	SHIELD, INTAKE	BOUCLIER, ADMISSION
34	+ -----	1	GASKET, EXHAUST	JOINT, ÉCHAPPEMENT
35	+ -----	1	SHIELD, EXHAUST	BOUCLIER, ÉCHAPPEMENT