



OPTIONAL ATTACHMENTS & ACCESSORIES

Accessories

103942147	CS Carry Bag
89850308032	Bar & Chain Cover - 17"
89850308033	Bar & Chain Cover - 20"
99988800207	CS Removable Nose Case
99988800308	CS Lanyard Strap w_Ring
99988801205	CS Fixed Nose Case

Guide Bars

16A0MD3366	Guide Bar - 16" (.050" Ga) -- Micro-Lite Pro
18A0MD3372	Guide Bar - 18" (.050" Ga) -- Micro-Lite Pro
20A0MD3378	Guide Bar - 20" (.050: Ga) -- Micro-Lite Pro

Sawing Chains

95VP66G	Sawing Chain - 16" (.050" Ga) -- Micro-Lite
95VP72G	Sawing Chain - 18" (.050" Ga) -- Micro-Lite
95VP78G	Sawing Chain - 20" (.050" Ga) -- Micro-Lite

PARTS CATALOG

CS-520 Chain Saw

50.1cc

SERIAL NUMBERS

S/N: C07113001001 - C07113999999

ECHO, INCORPORATED

400 Oakwood Road Lake Zurich, Illinois 60047 USA

WWW.ECHO-USA.COM



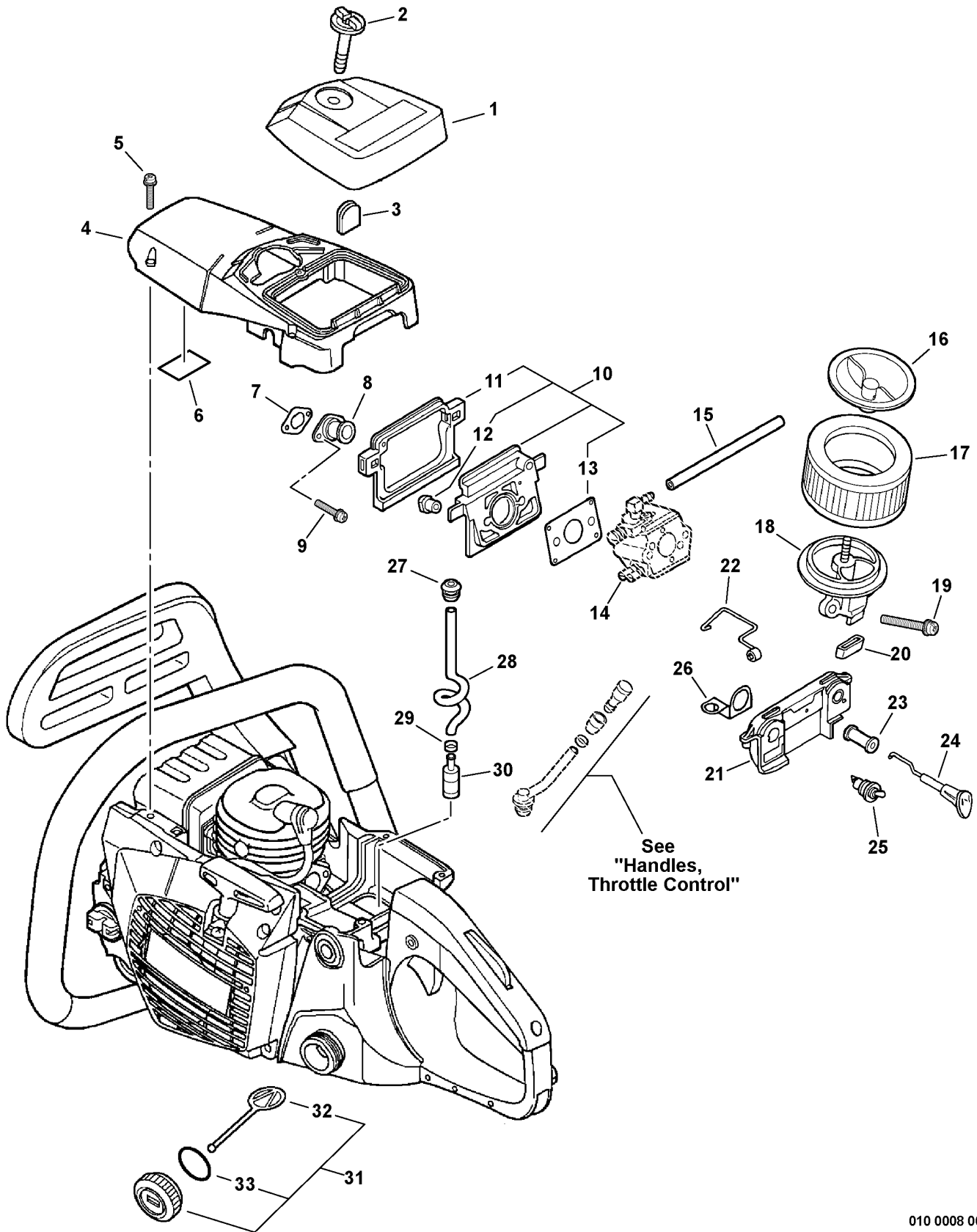
Table of Contents

Click Any Diagram Description Below To View That Diagram.

CS-520 S/N: C07113001001 - C07113999999

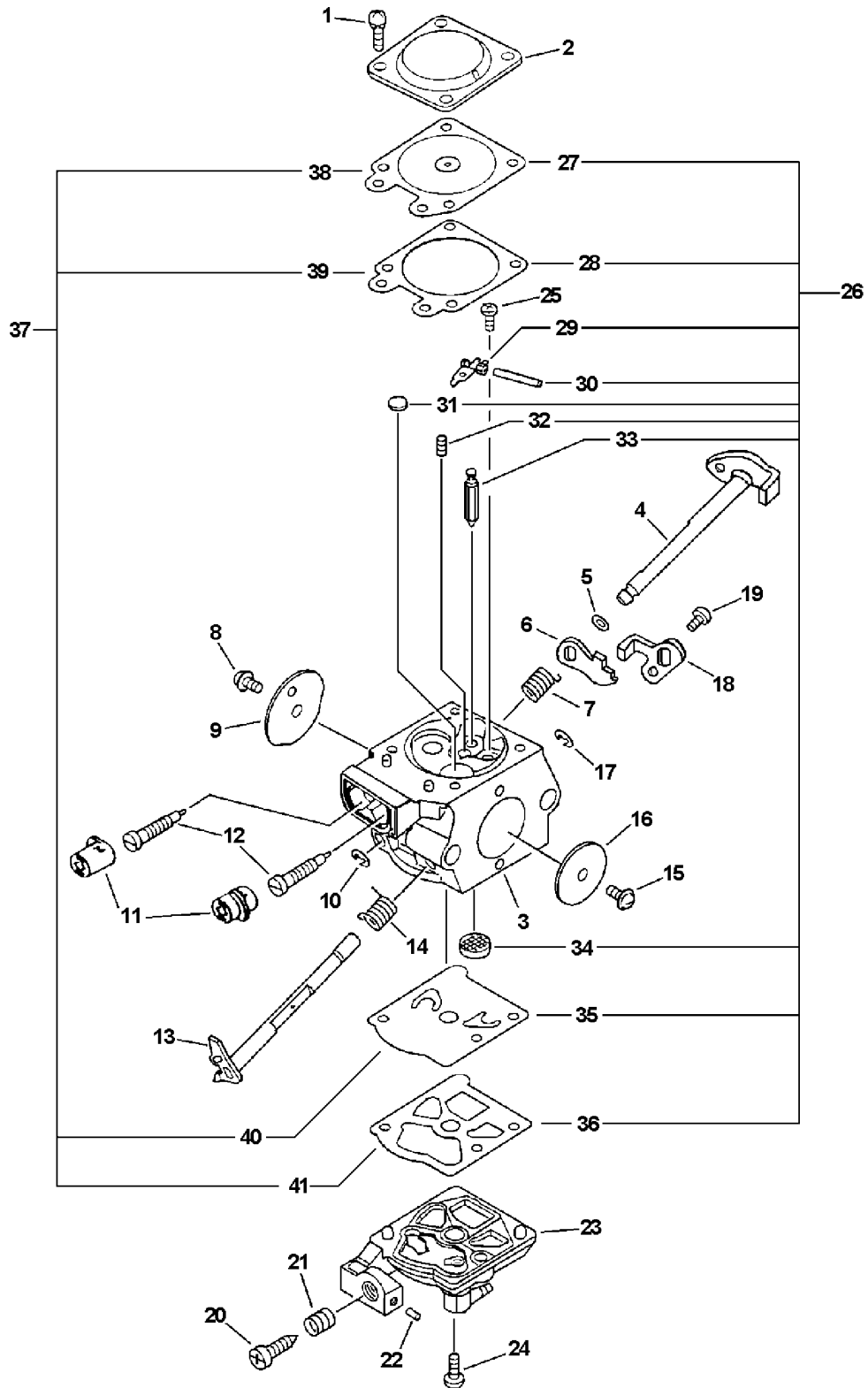
Cylinder Cover, Intake, Fuel System, Ignition Switch.....	4
Carburetor -- WT-594.....	6
Exhaust.....	8
Starter.....	10
Ignition.....	12
Chain Brake.....	14
Guide Bar, Sawing Chain, Kick Guard.....	16
Clutch.....	18
Handles, Throttle Control.....	20
Auto-Oiler, Oil Tank.....	22
Engine, Short Block -- SB1080, Engine Cover.....	24
Labels.....	26
Tools.....	28
Part Number Index.....	30
Part Description Index.....	31

This Page Intentionally Left Blank



010 0008 000

ITEM	PART NUMBER	QTY	DESCRIPTION	REMARKS
1	P021007150	1	LID, CLEANER	
2	A235000000	1	KNOB, AIR CLEANER LID	
3	13033832430	1	PLUG	
4	A160000202	1	COVER, CYLINDER	
5	16389038330	3	SCREW 5	
6	10152035430	1	DEFLECTOR, HEAT	
7	13001639930	1	GASKET, INTAKE	
8	13051039932	1	ADAPTER, INTAKE	
9	90023805012	2	SCREW 5X12	
10	13000038331	1	INSULATOR KIT	INCLUDES ITEMS 9-11
11	V420001130	1	CUSHION	
12	13002033330	2	NUT	
13	13001038330	1	GASKET, INTAKE	
14	-----	1	CARBURETOR	See Carburetor Diagram For Additional Information
15	13011038330	1	PIPE, IMPULSE	
16	13040538332	1	BRACKET, AIR CLEANER	
17	13031038331	1	FILTER, AIR	
18	A204000004	1	ELBOW, CARBURETOR	
19	90016205050	2	SCREW 5X50	
20	13043038330	1	CUSHION	
21	16381038933	1	BRACKET	
22	C454000041	1	ROD, THROTTLE	
23	17881014534	1	GROMMET	
24	A241000100	1	ROD, CHOKE	
25	16340038330	1	SWITCH, IGNITION	
26	16341338930	1	TERMINAL, SWITCH	
27	13211504920	1	GROMMET	
28	13201038331	1	PIPE, FUEL - SPIRAL	
29	13201326630	1	CLIP	
30	13120519830	1	FILTER, FUEL	
31	13100437931	1	CAP ASY	INCLUDES ITEMS 30-31
32	A365000050	1	CONNECTOR, CAP	
33	90072000022	1	O-RING 22	

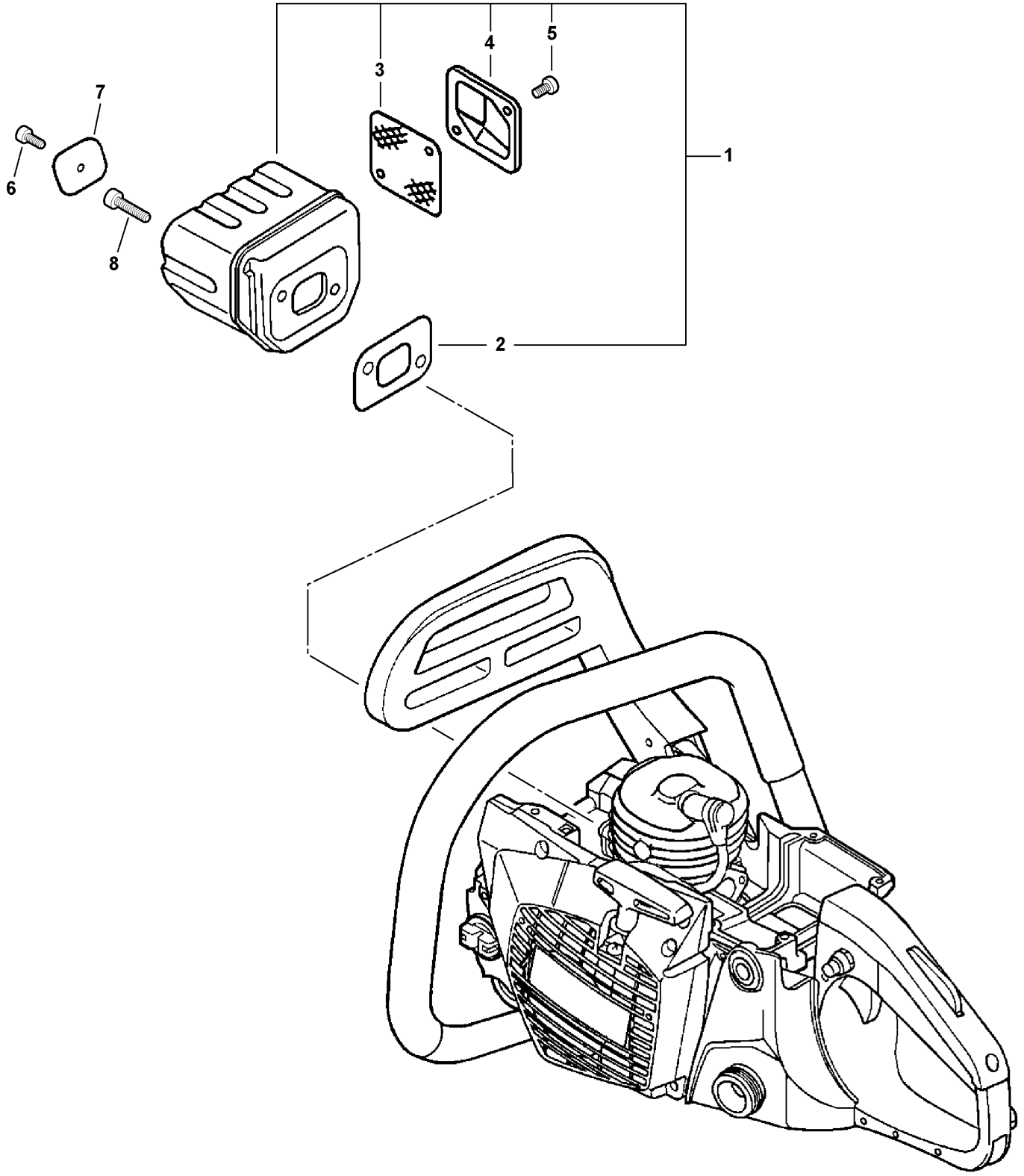


WT_594 2205_6_7

ITEM	PART NUMBER	QTY	DESCRIPTION	REMARKS
0	A021000220	1	CARBURETOR -- WT-594	
1	12313002960	4	SCREW, METERING DIAPHRAGM COVER	
2	12314203930	1	COVER, METERING DIAPHRAGM	
3	-----	1	BODY, CARBURETOR ¹	
4	P003000150	1	SHAFT, CHOKE	
5	12314926030	1	WASHER	
6	P003000160	1	LEVER, FAST IDLE	
7	P003000140	1	SPRING, CHOKE RETURN	
8	12311403930	1	SCREW, CHOKE VALVE	
9	P003000230	1	VALVE CHOKE	
10	12312715030	1	CLIP, CHOKE SHAFT	
11	P003000010	2	CAP, MIXTURE LIMITER	
12	12312003661	2	NEEDLE, HIGH SPEED	
13	P003000480	1	SHAFT, THROTTLE	
14	12311337530	1	SPRING, THROTTLE RETURN	
15	12311403930	1	SCREW, THROTTLE VALVE	
16	12311610530	1	VALVE, THROTTLE	
17	12312715030	1	CLIP, THROTTLE SHAFT	
18	P003000130	1	LEVER, THROTTLE	
19	12311403930	1	SCREW, THROTTLE LEVER	
20	12313404260	1	SCREW, IDLE ADJUST	
21	12313304260	1	SPRING, IDLE ADJUST	
22	12317815030	1	PLUG, FRICTION	
23	12312438330	1	COVER, FUEL PUMP	
24	12311003930	1	SCREW, PUMP COVER	
25	12313903930	1	SCREW, METERING LEVER PIN	
26	P003000250	1	REPAIR KIT	INCLUDES ITEMS 27-36
27	-----	1	DIAPHRAGM, METERING	
28	-----	1	GASKET, METERING DIAPHRAGM	
29	-----	1	LEVER, METERING	
30	-----	1	PIN, METERING LEVER	
31	-----	1	PLUG, WELCH	
32	-----	1	SPRING, METERING LEVER	
33	-----	1	VALVE, INLET NEEDLE	
34	-----	1	SCREEN, INLET	
35	-----	1	DIAPHRAGM, FUEL PUMP	
36	-----	1	GASKET, FUEL PUMP	
37	P003000240	1	GASKET/DIAPHRAGM KIT	INCLUDES ITEMS 38-41
38	-----	1	DIAPHRAGM, METERING	
39	-----	1	GASKET, METERING DIAPHRAGM	
40	-----	1	DIAPHRAGM, FUEL PUMP	
41	-----	1	GASKET, FUEL PUMP	

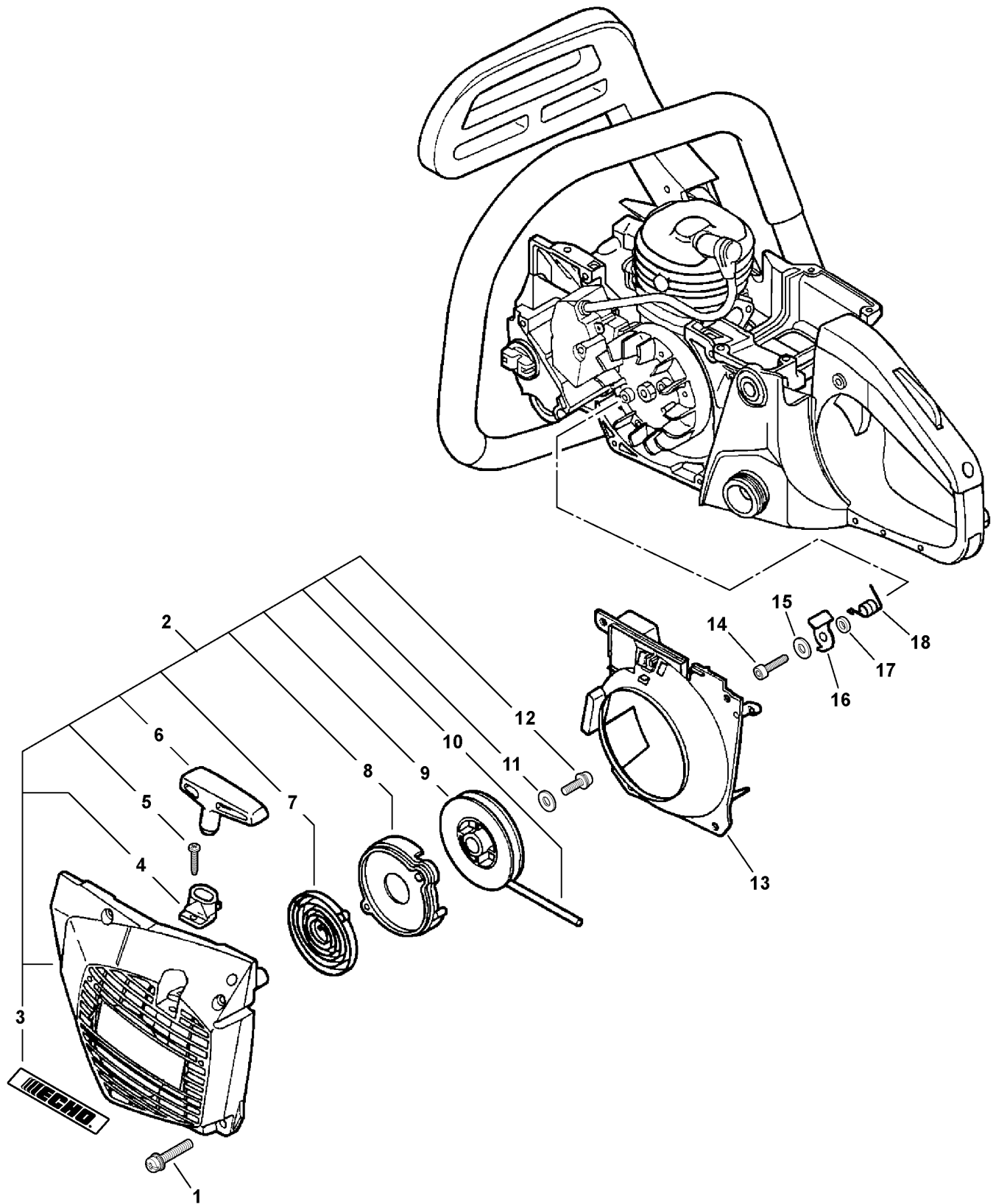
Footnotes

1: NOT AVAILABLE SEPARATELY



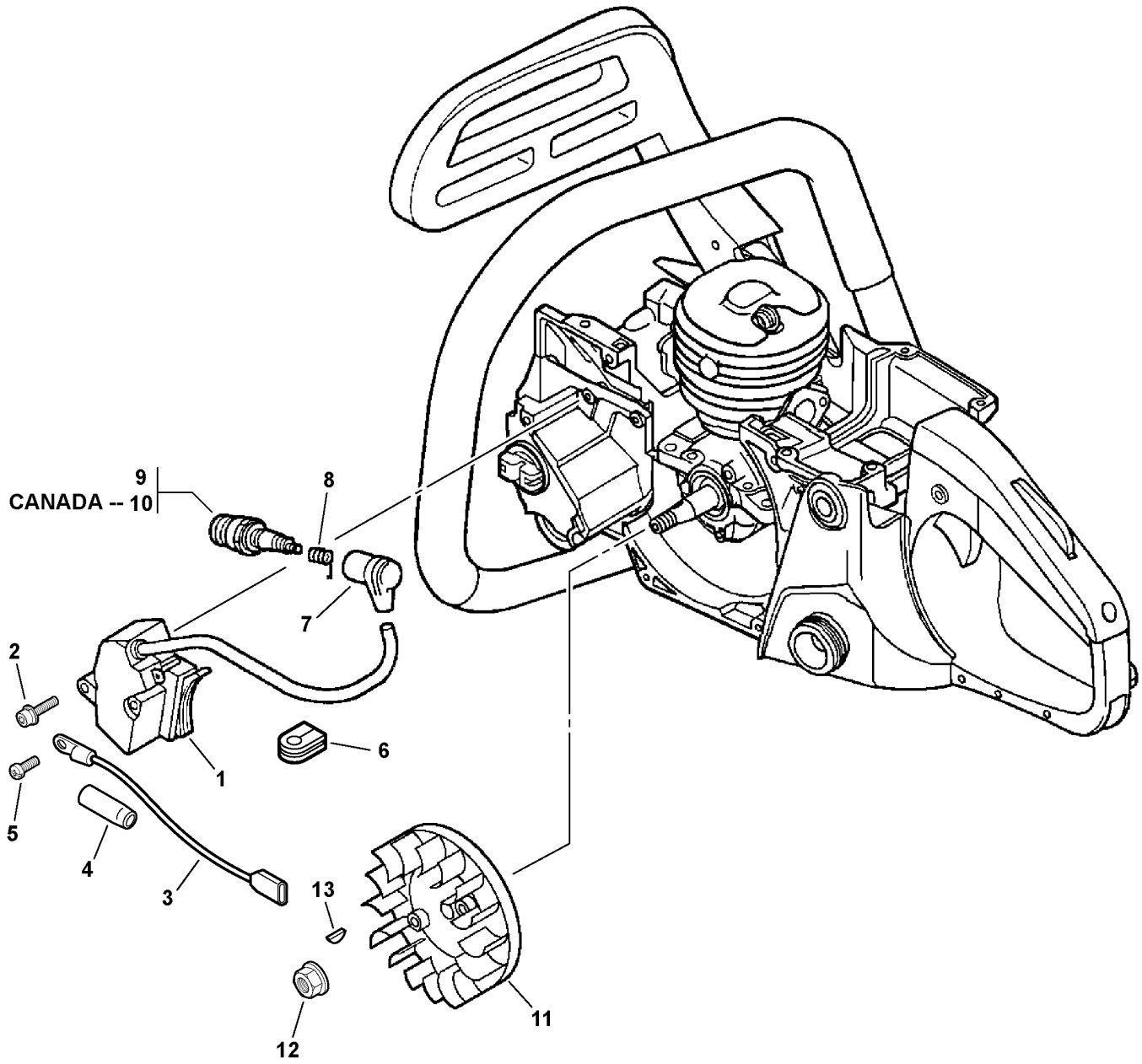
011 0007 000

ITEM	PART NUMBER	QTY	DESCRIPTION	REMARKS
1	P021006591	1	MUFFLER ASY	INCLUDES ITEMS 2-5
2	14551035431	1	GASKET, EXHAUST	
3	14588439330	1	SCREEN	
4	A303000050	1	GUIDE, EXHAUST	
5	90025004008	2	SCREW 4X8	
6	90010504006	1	SCREW 4X6	
7	14571160631	1	PLATE	
8	90010505014	2	SCREW 5X14	



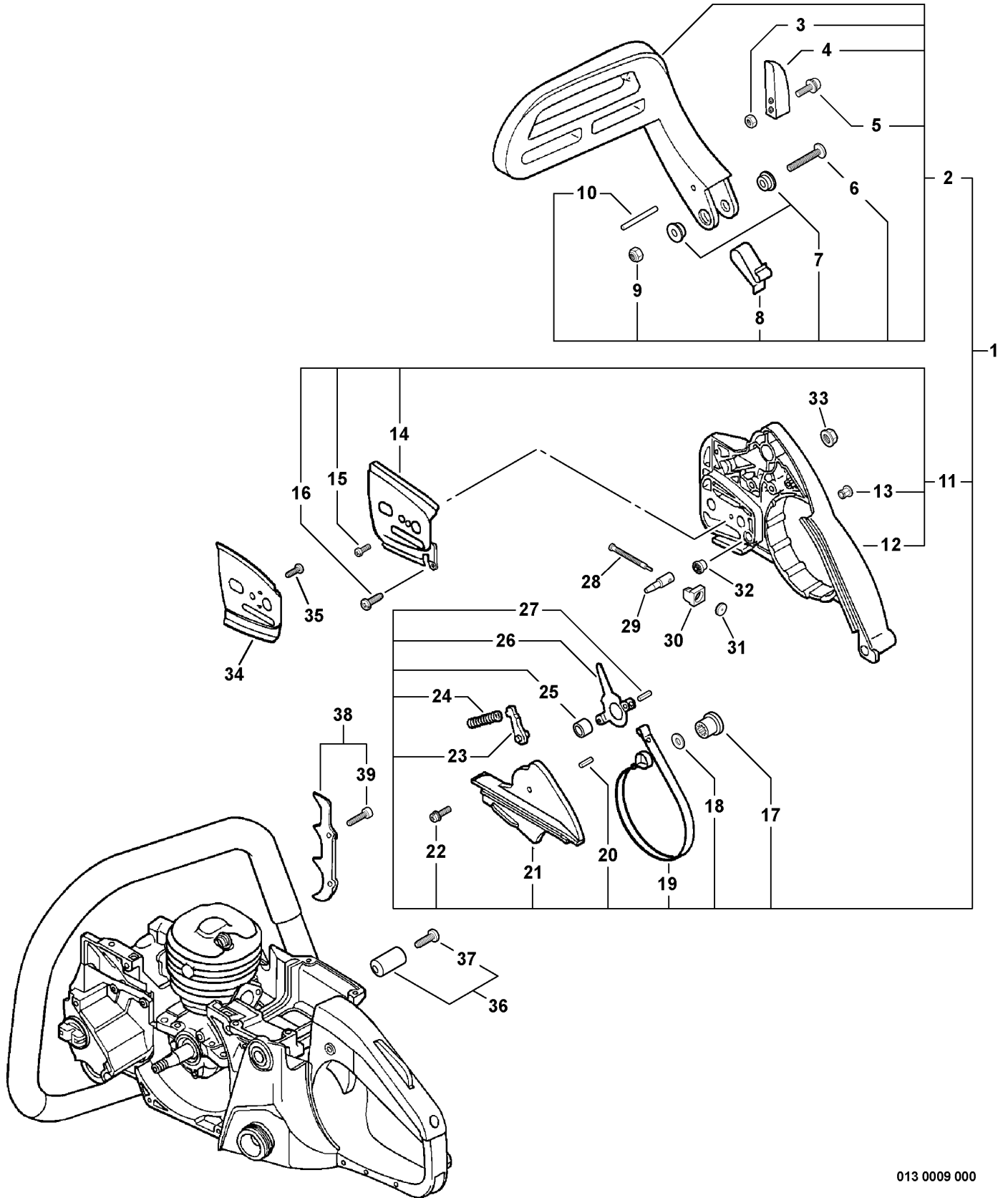
015 0006 000

ITEM	PART NUMBER	QTY	DESCRIPTION	REMARKS
1	90023805018	4	SCREW 5X18	
2	17720039335	1	STARTER ASY	INCLUDES ITEMS 3-12
3	X502000010	1	LABEL - ECHO	
4	17722737930	1	GUIDE, ROPE	
5	90029603014	1	SCREW 3X14	
6	17722835430	1	GRIP, STARTER	
7	17722035430	1	SPRING, REWIND	
8	17722138330	1	PLATE, STARTER	
9	17721538330	1	DRUM, STARTER	
10	17722638330	1	ROPE, STARTER - 3.5X960mm	REPOWER BULK OPTION: 99944445000
11	17721402830	1	WASHER	
12	90023805012	1	SCREW 5X12	
13	A172000062	1	COVER, FAN	
14	V203000090	2	SCREW 5X14	
15	90060300005	2	WASHER 5	
16	17721819830	2	PAWL, STARTER	
17	17724704630	2	SPACER	
18	17723435430	2	SPRING, RETURN	



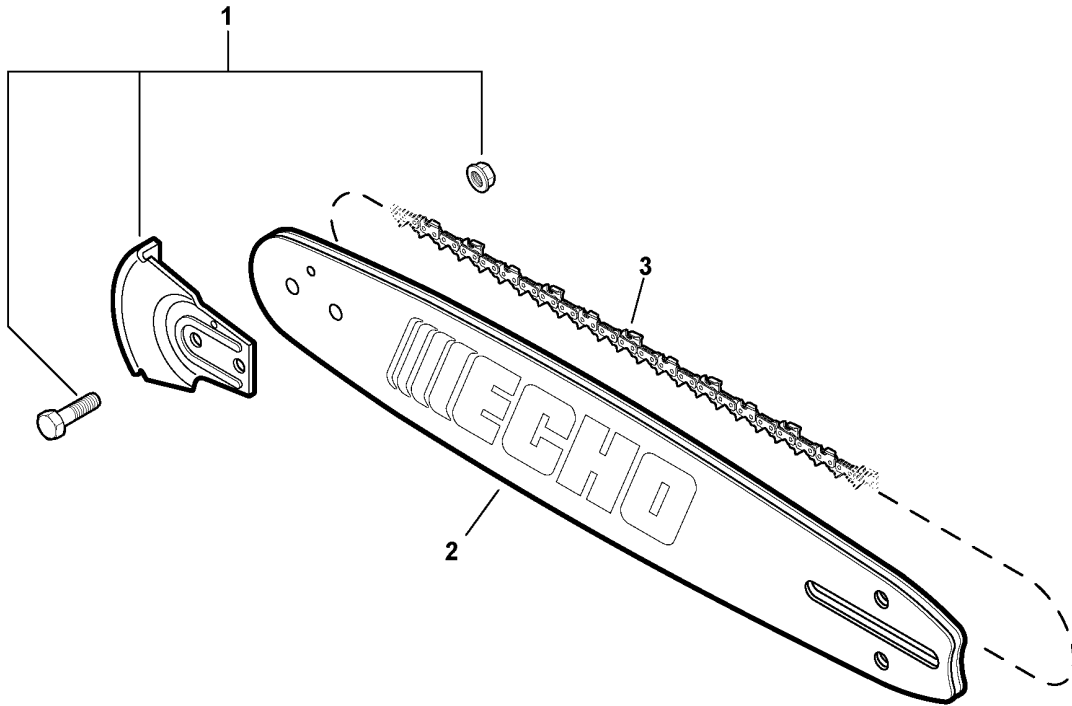
018 0007 000

ITEM	PART NUMBER	QTY	DESCRIPTION	REMARKS
1	A411000031	1	COIL, IGNITION	
2	90016204030	2	SCREW 4X30	
3	16201038332	1	LEAD, GROUND	
4	C483000000	1	BOOT, CONNECTOR	
5	90022004006	1	SCREW 4X6	
6	V135000010	1	GROMMET	
7	A427000012	1	CAP, SPARK PLUG	
8	A426000010	1	TERMINAL, SPARK PLUG CAP	
9	15901010630	1	SPARK PLUG -- BPM-7A	
10	A425000000	1	SPARK PLUG -- BPMR-8Y	CANADA MODELS
11	A409000030	1	FLYWHEEL	
12	90051500008	1	NUT 8	
13	10014230830	1	WOODRUFF KEY	



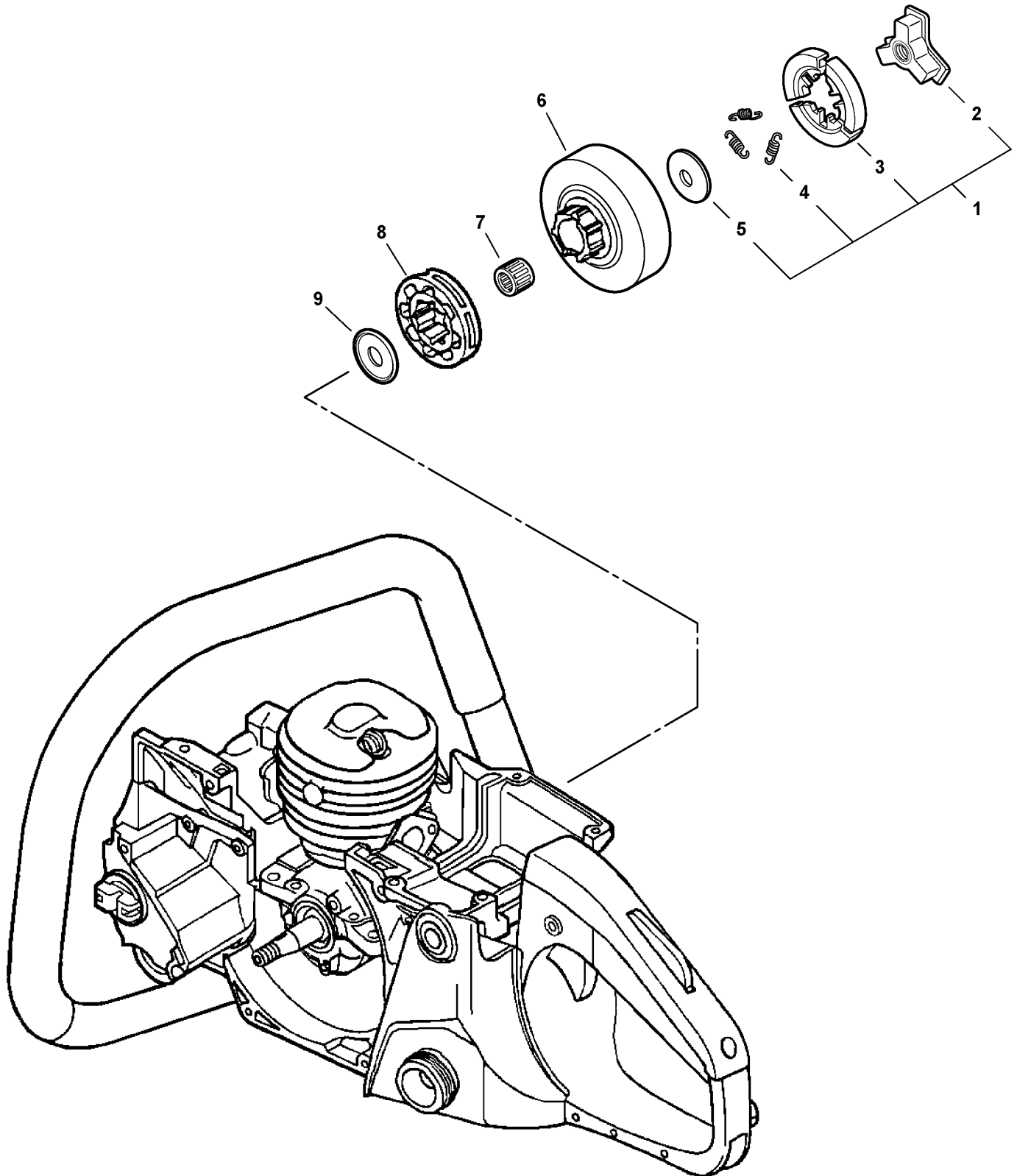
013 0009 000

ITEM	PART NUMBER	QTY	DESCRIPTION	REMARKS
1	43310039037	1	CHAIN BRAKE ASY	INCLUDES ITEMS 2-26
2	43320139031	1	BRAKE LEVER ASY	INCLUDES ITEMS 3-10
3	90050000004	2	NUT 4	
4	43317139330	1	WEIGHT, BRAKE	
5	90023804018	2	SCREW 4X18	
6	9131805032	1	SCREW 5X32	
7	43316739130	2	SPACER	
8	43311438331	1	SPRING	
9	90056250005	1	FLANGE NUT 5	
10	90033030240	1	PIN 3X24	
11	P021001280	1	SPROCKET GUARD ASY	INCLUDES ITEMS 12-16
12	43300539334	1	GUARD, SPROCKET	
13	V162000020	1	PLUG	NOT REQUIRED
14	C305000001	1	PLATE, SPROCKET GUARD	
15	90022003006	1	SCREW 3X6	
16	90025304010	1	SCREW 4X10	
17	43314235430	1	ADJUSTER, BRAKE	
18	V304000090	1	WASHER	
19	C328000060	1	BAND, BRAKE	
20	90034225012	1	SPRING PIN 2.5X12	
21	43331039330	1	COVER, BRAKE	
22	90025304010	1	SCREW 4X10	
23	43320935430	1	STOPPER, BRAKE	
24	43312235430	1	SPRING, BRAKE	
25	43311538330	1	COLLAR 5.2X12X14	
26	43320835431	1	LEVER, BRAKE	
27	90033040088	1	SPRING PIN 4X8.8	
28	V203000110	1	BOLT 5	
29	C309000030	1	TENSIONER, CHAIN	
30	V355000270	1	COLLAR	
31	V651000011	1	GEAR, BEVEL	
32	V651000001	1	GEAR, BEVEL	
33	43301912330	2	FLANGE NUT 8	
34	43301335431	1	PLATE, GUIDE - INNER	
35	90022004006	1	SCREW 4X6	
36	43300019831	1	CHAIN CATCHER KIT	INCLUDES ITEM 32
37	90022005018	1	SCREW 5X18	
38	88020038330	1	SPIKED BUMPER KIT	
39	90010505012	2	SCREW 5X12	



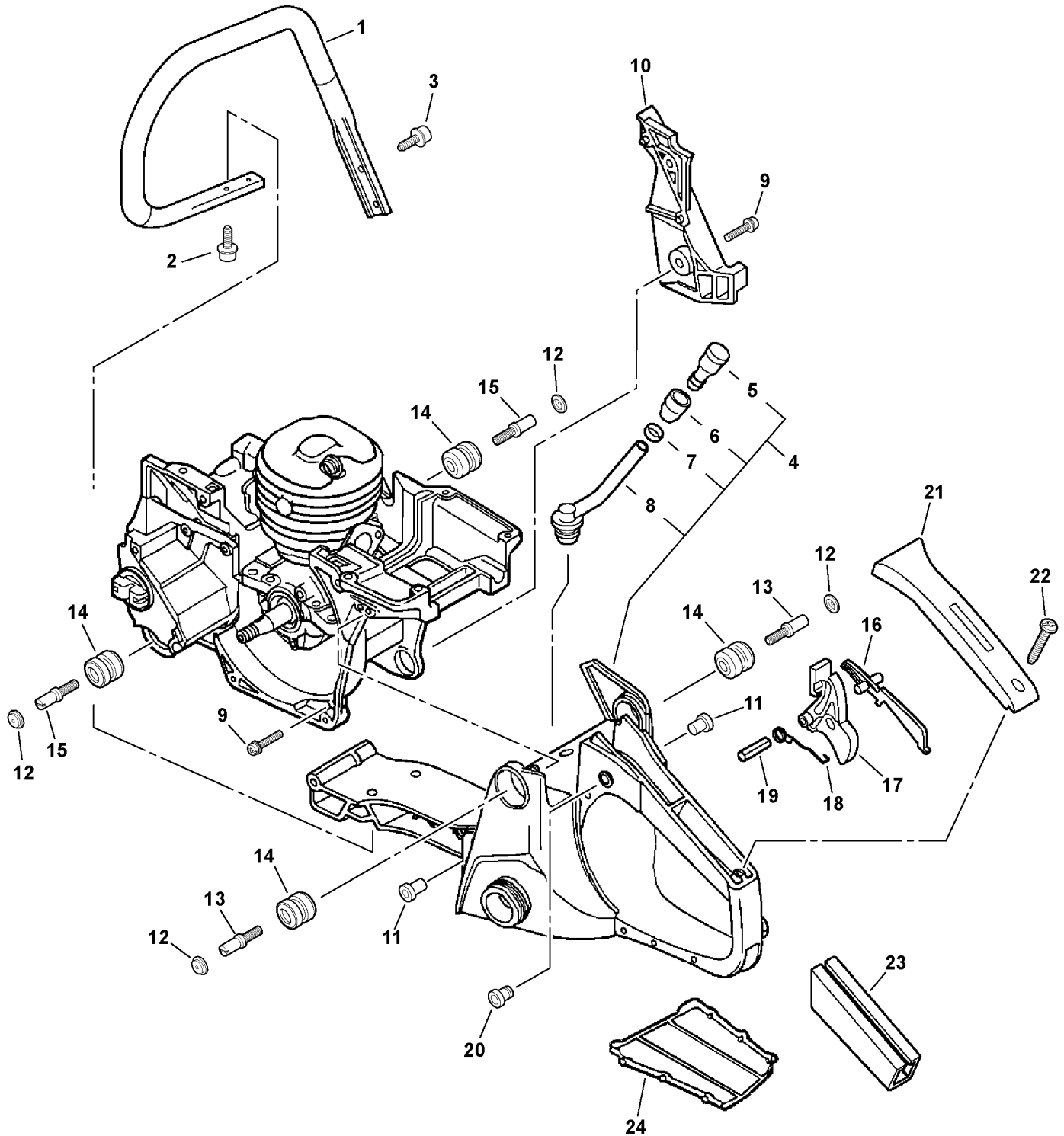
016 0009 000

ITEM	PART NUMBER	QTY	DESCRIPTION	REMARKS
1	2893201	1	KICK GUARD KIT	
2	16A0MD3366	1	GUIDE BAR - 16" -- MicroLite Pro	GAUGE: .050"
2	18A0MD3372	1	GUIDE BAR - 18" -- MicroLite Pro	GAUGE: .050"
2	20A0MD3378	1	GUIDE BAR - 20" -- Micro-Lite Pro	GAUGE: .050"
3	95VP66G	1	SAWING CHAIN - 16" -- Micro-Lite	GAUGE: .050" / PITCH: .325"
3	95VP72G	1	SAWING CHAIN - 18" -- Micro-Lite	GAUGE: .050" / PITCH: .325"
3	95VP78G	1	SAWING CHAIN - 20" -- Micro-Lite	GAUGE: .050" / PITCH: .325"



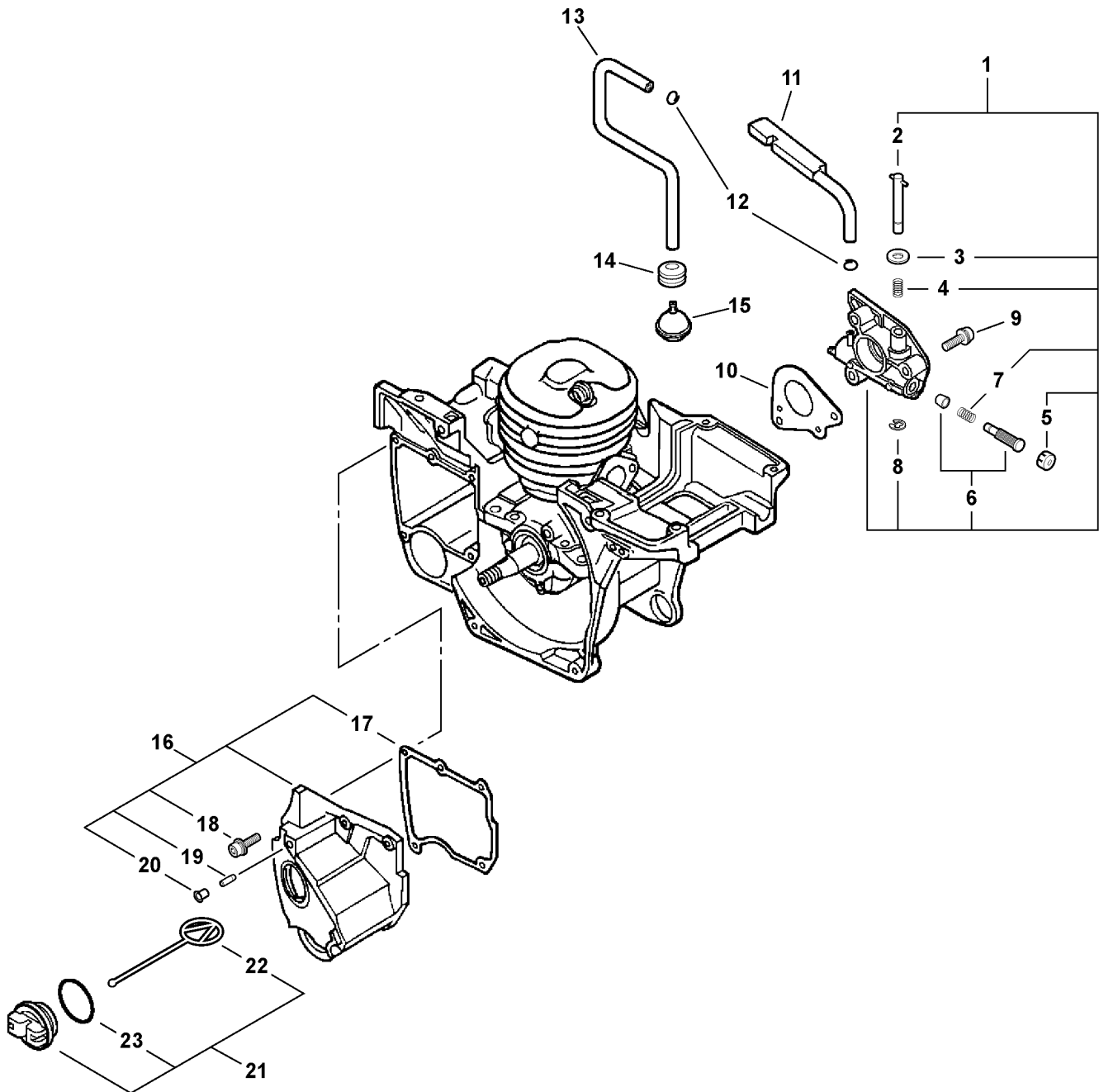
014 0006 000

ITEM	PART NUMBER	QTY	DESCRIPTION	REMARKS
1	P021007070	1	CLUTCH ASY	INCLUDES ITEMS 2-5
2	A552000050	1	HUB, CLUTCH	
3	P021007050	1	CLUTCH SHOE SET	
4	V451000500	3	SPRING, CLUTCH	
5	A551000060	1	PLATE, CLUTCH	
6	A556000020	1	DRUM, CLUTCH	
7	V557000010	1	BEARING, NEEDLE	
8	17511412530	1	SPROCKET, RIM	
9	A551000000	1	PLATE, CLUTCH	



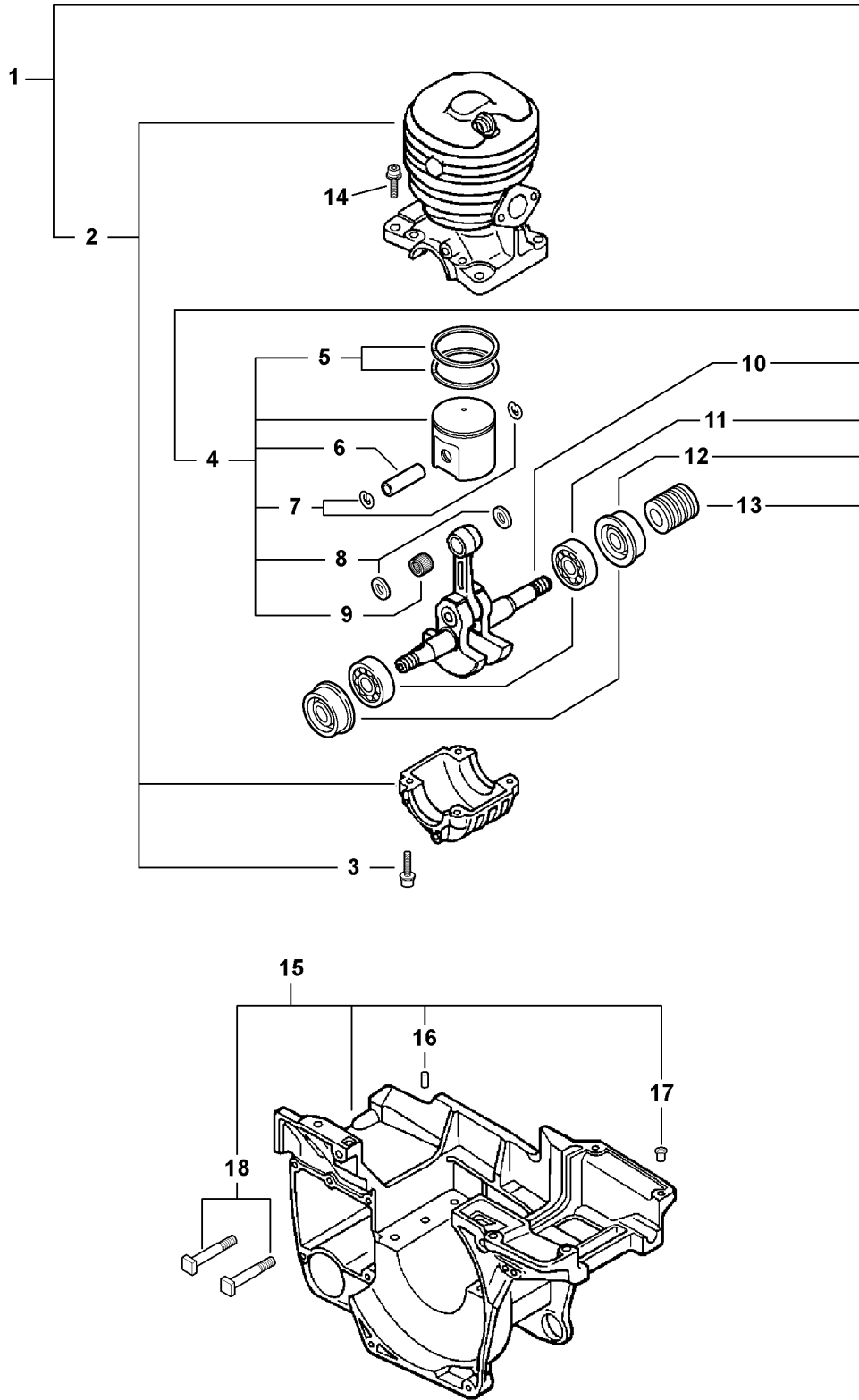
012 0007 000

ITEM	PART NUMBER	QTY	DESCRIPTION	REMARKS
1	C400000010	1	HANDLE, FRONT	
2	9114505016	2	SCREW 5X16	
3	9114505020	2	SCREW 5X20	
4	P021011460	1	REAR HANDLE ASY	INCLUDES ITEMS 5-8
5	A356000030	1	VENT ASY	
6	13132840630	1	COVER, VENT	
7	13201326630	1	CLIP	
8	13201239330	1	PIPE, VENT - GROMMET	
9	90023805016	3	SCREW 5X16	
10	43304539332	1	COVER	
11	10091038330	2	CUSHION	
12	10091838330	4	CAP, CUSHION	
13	10091532530	2	SCREW	
14	10092138330	4	CUSHION	
15	10091533930	2	SCREW	
16	17809037930	1	LOCKOUT, THROTTLE CONTROL	
17	C450000000	1	TRIGGER, THROTTLE	
18	17804335430	1	SPRING, THROTTLE RETURN	
19	90034540030	1	SPRING PIN 4X30	
20	V162000040	1	PLUG	
21	35115535430	1	COVER, HANDLE	
22	90025304014	1	SCREW 4X14	
23	35111119830	1	GRIP, HANDLE	
24	C418000000	1	SHIELD, SNOW	



017 0006 000

ITEM	PART NUMBER	QTY	DESCRIPTION	REMARKS
1	43700238330	1	AUTO-OILER ASY	
2	43701638330	1	NEEDLE, ADJUST	
3	43702937330	1	WASHER	
4	43701537330	1	SPRING	
5	43706238330	1	CAP, OIL PUMP	
6	43702437330	1	PLUNGER	
7	43701938330	1	SPRING	
8	12312715030	1	CIRCLIP	
9	90022304016	2	SCREW 4X16	
10	17531038330	1	PLATE, SEAL	
11	43722938331	1	PIPE, OIL OUTLET	
12	13201326630	2	CLIP	
13	43721038330	1	PIPE, OIL	
14	13211512330	1	GROMMET	
15	43620514730	1	FILTER, OIL	
16	43600539332	1	OIL TANK ASY	INCLUDES ITEMS 10-13
17	43601938330	1	GASKET, OIL TANK	
18	90016304016	3	SCREW 4X16	
19	43611413930	1	VALVE, CHECK	
20	43601838330	1	COLLAR	
21	43600165631	1	CAP ASY	INCLUDES ITEMS 15-16
22	A365000050	1	CONNECTOR, CAP	
23	90072502025	1	O-RING	



SB1080 0001 000

ITEM	PART NUMBER	QTY	DESCRIPTION	REMARKS
1	SB1080	1	SHORT BLOCK ¹	INCLUDES ITEM 2-14
2	P021006990	1	CRANKCASE SET	INCLUDES ITEM 3
3	90010605020	4	SCREW 5X20	
4	P021006150	1	PISTON KIT	INCLUDES ITEMS 5-9
5	10001139730	2	RING, PISTON	
6	V609000000	1	PIN, PISTON	
7	10001532330	2	CIRCLIP, PISTON PIN	
8	V308000000	2	SPACER, PISTON PIN	
9	V556000000	1	BEARING, NEEDLE	
10	A011000320	1	CRANKSHAFT	
11	V508000000	2	OIL SEAL	
12	90081036202	2	BEARING, BALL - 6202	
13	V652000000	1	GEAR, WORM	
14	90016205022	4	SCREW 5X22	
15	P021003100	1	COVER, ENGINE	INCLUDES ITEMS 16-18
16	V622000020	2	DOWEL PIN	
17	43601838330	2	COLLAR	
18	43301119830	2	STUD, GUIDE BAR	

Footnotes

1: OPTIONAL ENGINE REPOWER



WARNING
Chain brake must be unlocked before removing or installing clutch cover. Improper installation can result in serious injury and cause severe damage to saw.
La fobortis nisi ut aliquip ex. elit. sed nonummy neiusmod tincidunt ut laoreet dolore magna aliquam erat volutpat. Ut wisi enim ad minim veniam, quis nostrud exerci tation ullamcorperquis nostrud exercic.



ATTENTION
Pour un travail en securite, respectez tous les regles de securite et les indications du manuel d'utilisation. (Le manuel d'utilisation est disponible chez votre agent ECHO.) Tenez fermement la tronconneuse des deux mains.

TO AVOID KICKBACK
1. Contact of the guide bar tip with any object should be avoided.
2. Tip contact may cause the guide bar to move suddenly upward and backward which may cause serious injury.
3. Always use two hands when operating chain saw.

POUR EVITER LES REBONDISSEMENTS
1. Eviter tout contact entre le nez du guide-chaine et un objet quelconque.
2. Tout contact du nez peut provoquer un mouvement brusque vers la haut ou vers le bas et entrainer de graves blessures.
3. Toujours employer les deux mains pour operer la scie a chaine.

**REPLACEMENT BAR AND CHAIN
REPLACEMENT DU GUIDE ET DE LA CHAINE**

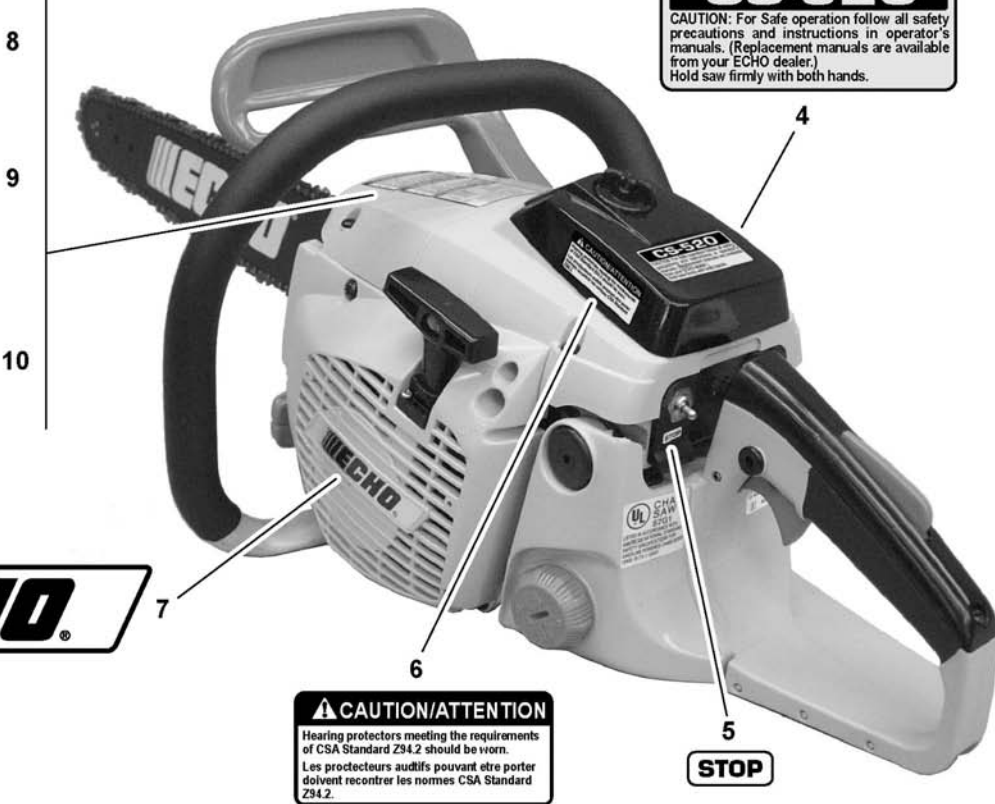
GUIDE BAR P/NO.	CHAIN TYPE	CKA
GUIDE PIECE NO.	TYPE DE CHAINE	
16" 16A0M03366	OREGON 95VP	66 44.2
18" 18A0E037162	OREGON 91VD	62 8.0

CKA means Computed Kickback Angle
CKA Signifie angle de rebondissement calcule

Note: There may be other replacement components for achieving kickback protection. For details, please refer to the bar and chain combination sheet shown in the instruction manual.

REMARQUE: Il y peut y avoir d'autres composantes de remplacement qui protègent en cas de rebondissement. Pour plus de details se referer a la feuille sur les combinaisons de guide et de chaine du manuel de l'utilisateur.

CS-520
CAUTION: For Safe operation follow all safety precautions and instructions in operator's manuals. (Replacement manuals are available from your ECHO dealer.)
Hold saw firmly with both hands.



CAUTION/ATTENTION
Hearing protectors meeting the requirements of CSA Standard Z94.2 should be worn.
Les protecteurs auditifs pouvant etre porter doivent recontre les normes CSA Standard Z94.2.

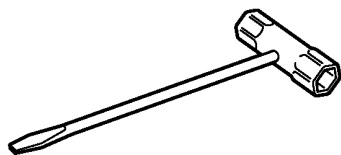
STOP

ITEM	PART NUMBER	QTY	DESCRIPTION	REMARKS
1	X505002050	1	LABEL - WARNING	
2	X502000000	1	LABEL - ECHO	
3	89032439630	1	LABEL, ATTENTION	
4	X503005540	1	LABEL - MODEL -- CS-520	
5	89015737330	1	LABEL - STOP	
6	89017639431	1	LABEL - NOISE (ENGLISH/FRENCH)	
7	X502000010	1	LABEL - ECHO	
8	X505000450	1	LABEL, KICK BACK	
9	X505000460	1	LABEL - KICK BACK (FRENCH)	
10	X524001660	1	LABEL - BAR & CHAIN	

SOCKET WRENCH W/SCREWDRIVER (Also Remove Spark Plugs)

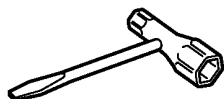
1 - 89541010630 -- 17X19mm

2 - X602000020 -- 17X19mm



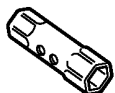
3 - 89541039131 -- 10X19mm

4 - 89541006960 -- 13X19mm



SOCKET WRENCH

5 - X602000031 -- 17X14.5mm



LOCKING BAR

6 - 89751801131 -- 5X120mm



OPEN END WRENCH

7 - 89511200330 -- 8X10mm

8 - 89512220960 -- 17X19mm



9 - 89501505260 -- 10mm



HEX BAR

10 - 89541220960 -- 10mm



L-WRENCH

11 - 89561203430 -- 3mm HEX KEY



12 - 89561000130 -- 4mm HEX KEY



13 - 89561100330 -- 5mm HEX KEY

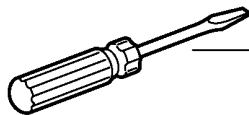


14 - X605000050 -- 3mm TORX

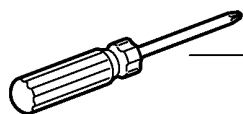


SCREWDRIVER

15 - 89581100130 -- 125mm SLOTTED



16 - 89581203930 -- 50mm PHILLIPS



200 0002 000

ITEM	PART NUMBER	QTY	DESCRIPTION	REMARKS
1	89541010630	1	SOCKET WRENCH/SCREWDRIVER -- 17X19mm	
2	X602000020	1	SOCKET WRENCH/SCREWDRIVER -- 17X19mm	
3	89541039131	1	SOCKET WRENCH/SCREWDRIVER -- 10X19mm	
4	89541006960	1	SOCKET WRENCH/SCREWDRIVER -- 13X19mm	
5	X602000031	1	SOCKET WRENCH -- 17X14.5mm	
6	89751801131	1	LOCKING BAR -- 5X120mm	
7	89511200330	1	OPEN END WRENCH-- 8X10mm	
8	89512220960	1	OPEN END WRENCH-- 17X19mm	
9	89501505260	1	OPEN END WRENCH-- 10mm	
10	89541220960	1	HEX BAR -- 10mm	
11	89561203430	1	HEX KEY -- 3mm	
12	89561000130	1	HEX KEY -- 4mm	
13	89561100330	1	HEX KEY -- 5mm	
14	X605000050	1	L-WRENCH -- 3mm TORX	
15	89581100130	1	SCREWDRIVER -- SLOTTED	
16	89581203930	1	SCREWDRIVER -- PHILLIPS	



Part Number Index

Click The Page Number After Any Part Number To View The Diagram Containing That Part.

Part Number	Page	Part Number	Page	Part Number	Page	Part Number	Page
-----	5, 7	43300019831	15	90050000004	15	V622000020	25
10001139730	25	43300539334	15	90051500008	13	V651000001	15
10001532330	25	43301119830	25	90056250005	15	V651000011	15
10014230830	13	43301335431	15	90060300005	11	V652000000	25
10091038330	21	43301912330	15	90072000022	5	X502000000	27
10091532530	21	43304539332	21	90072502025	23	X502000010	11, 27
10091533930	21	43310039037	15	90081036202	25	X503005540	27
10091838330	21	43311438331	15	9114505016	21	X505000450	27
10092138330	21	43311538330	15	9114505020	21	X505000460	27
10152035430	5	43312235430	15	9131805032	15	X505002050	27
12311003930	7	43314235430	15	95VP66G	17	X524001660	27
12311337530	7	43316739130	15	95VP72G	17	X602000020	29
12311403930	7	43317139330	15	95VP78G	17	X602000031	29
12311610530	7	43320139031	15	A011000320	25	X605000050	29
12312003661	7	43320835431	15	A021000220	7		
12312438330	7	43320935430	15	A160000202	5		
12312715030	7, 23	43331039330	15	A172000062	11		
12313002960	7	43600165631	23	A204000004	5		
12313304260	7	43600539332	23	A235000000	5		
12313404260	7	43601838330	23, 25	A241000100	5		
12313903930	7	43601938330	23	A303000050	9		
12314203930	7	43611413930	23	A356000030	21		
12314926030	7	43620514730	23	A365000050	5, 23		
12317815030	7	43700238330	23	A409000030	13		
13000038331	5	43701537330	23	A411000031	13		
13001038330	5	43701638330	23	A425000000	13		
13001639930	5	43701938330	23	A426000010	13		
13002033330	5	43702437330	23	A427000012	13		
13011038330	5	43702937330	23	A551000000	19		
13031038331	5	43706238330	23	A551000060	19		
13033832430	5	43721038330	23	A552000050	19		
13040538332	5	43722938331	23	A556000020	19		
13043038330	5	88020038330	15	C305000001	15		
13051039932	5	89015737330	27	C309000030	15		
13100437931	5	89017639431	27	C328000060	15		
13120519830	5	89032439630	27	C400000010	21		
13132840630	21	89501505260	29	C418000000	21		
13201038331	5	89511200330	29	C450000000	21		
13201239330	21	89512220960	29	C454000041	5		
13201326630	5, 21, 23	89541006960	29	C483000000	13		
13211504920	5	89541010630	29	P003000010	7		
13211512330	23	89541039131	29	P003000130	7		
14551035431	9	89541220960	29	P003000140	7		
14571160631	9	89561000130	29	P003000150	7		
14588439330	9	89561100330	29	P003000160	7		
15901010630	13	89561203430	29	P003000230	7		
16201038332	13	89581100130	29	P003000240	7		
16340038330	5	89581203930	29	P003000250	7		
16341338930	5	89751801131	29	P003000480	7		
16381038933	5	90010504006	9	P021001280	15		
16389038330	5	90010505012	15	P021003100	25		
16A0MD3366	17	90010505014	9	P021006150	25		
17511412530	19	90010605020	25	P021006591	9		
17531038330	23	90016204030	13	P021006990	25		
17720039335	11	90016205022	25	P021007050	19		
17721402830	11	90016205050	5	P021007070	19		
17721538330	11	90016304016	23	P021007150	5		
17721819830	11	90022003006	15	P021011460	21		
17722035430	11	90022004006	13, 15	SB1080	25		
17722138330	11	90022005018	15	V135000010	13		
17722638330	11	90022304016	23	V162000020	15		
17722737930	11	90023804018	15	V162000040	21		
17722835430	11	90023805012	5, 11	V203000090	11		
17723435430	11	90023805016	21	V203000110	15		
17724704630	11	90023805018	11	V304000090	15		
17804335430	21	90025004008	9	V308000000	25		
17809037930	21	90025304010	15	V355000270	15		
17881014534	5	90025304014	21	V420001130	5		
18A0MD3372	17	90029603014	11	V451000500	19		
20A0MD3378	17	90033030240	15	V508000000	25		
2893201	17	90033040088	15	V556000000	25		
35111119830	21	90034225012	15	V557000010	19		
35115535430	21	90034540030	21	V609000000	25		



Part Description Index

Click The Page Number After Any Part Description To View The Diagram Containing That Part.

A

ADAPTER, INTAKE.....5
 ADJUSTER, BRAKE.....15
 AUTO-OILER ASY.....23

B

BAND, BRAKE.....15
 BEARING, BALL - 6202.....25
 BEARING, NEEDLE.....19, 25
 BODY, CARBURETOR.....7
 BOLT 5.....15
 BOOT, CONNECTOR.....13
 BRACKET.....5
 BRACKET, AIR CLEANER.....5
 BRAKE LEVER ASY.....15

C

CAP ASY.....5, 23
 CAP, CUSHION.....21
 CAP, MIXTURE LIMITER.....7
 CAP, OIL PUMP.....23
 CAP, SPARK PLUG.....13
 CARBURETOR.....5
 CARBURETOR -- WT-594.....7
 CHAIN BRAKE ASY.....15
 CHAIN CATCHER KIT.....15
 CIRCLIP.....23
 CIRCLIP, PISTON PIN.....25
 CLIP.....5, 21, 23
 CLIP, CHOKE SHAFT.....7
 CLIP, THROTTLE SHAFT.....7
 CLUTCH ASY.....19
 CLUTCH SHOE SET.....19
 COIL, IGNITION.....13
 COLLAR.....15, 23, 25
 COLLAR 5.2X12X14.....15
 CONNECTOR, CAP.....5, 23
 COVER.....21
 COVER, BRAKE.....15
 COVER, CYLINDER.....5
 COVER, ENGINE.....25
 COVER, FAN.....11
 COVER, FUEL PUMP.....7
 COVER, HANDLE.....21
 COVER, METERING DIAPHRAGM.....7
 COVER, VENT.....21
 CRANKCASE SET.....25
 CRANKSHAFT.....25
 CUSHION.....5, 21

D

DEFLECTOR, HEAT.....5
 DIAPHRAGM, FUEL PUMP.....7
 DIAPHRAGM, METERING.....7
 DOWEL PIN.....25
 DRUM, CLUTCH.....19
 DRUM, STARTER.....11

E

ELBOW, CARBURETOR.....5

F

FILTER, AIR.....5
 FILTER, FUEL.....5
 FILTER, OIL.....23
 FLANGE NUT 5.....15
 FLANGE NUT 8.....15
 FLYWHEEL.....13

G

GASKET, EXHAUST.....9
 GASKET, FUEL PUMP.....7
 GASKET, INTAKE.....5
 GASKET, METERING DIAPHRAGM.....7
 GASKET, OIL TANK.....23
 GASKET/DIAPHRAGM KIT.....7
 GEAR, BEVEL.....15
 GEAR, WORM.....25
 GRIP, HANDLE.....21
 GRIP, STARTER.....11
 GROMMET.....5, 13, 23
 GUARD, SPROCKET.....15
 GUIDE BAR - 16" -- MicroLite Pro.....17
 GUIDE BAR - 18" -- MicroLite Pro.....17
 GUIDE BAR - 20" -- Micro-Lite Pro.....17
 GUIDE, EXHAUST.....9
 GUIDE, ROPE.....11

H

HANDLE, FRONT.....21
 HEX BAR -- 10mm.....29
 HEX KEY -- 3mm.....29
 HEX KEY -- 4mm.....29
 HEX KEY -- 5mm.....29
 HUB, CLUTCH.....19

I

INSULATOR KIT.....5

K

KICK GUARD KIT.....17
 KNOB, AIR CLEANER LID.....5

L

LABEL - BAR & CHAIN.....27
 LABEL - ECHO.....11, 27
 LABEL - KICK BACK (FRENCH).....27
 LABEL - MODEL -- CS-520.....27
 LABEL - NOISE (ENGLISH/FRENCH).....27
 LABEL - STOP.....27
 LABEL - WARNING.....27
 LABEL, ATTENTION.....27
 LABEL, KICK BACK.....27
 LEAD, GROUND.....13
 LEVER, BRAKE.....15
 LEVER, FAST IDLE.....7
 LEVER, METERING.....7
 LEVER, THROTTLE.....7
 LID, CLEANER.....5
 LOCKING BAR -- 5X120mm.....29
 LOCKOUT, THROTTLE CONTROL.....21
 L-WRENCH -- 3mm TORX.....29

M

MUFFLER ASY.....9

N

NEEDLE, ADJUST.....23
 NEEDLE, HIGH SPEED.....7
 NUT.....5
 NUT 4.....15
 NUT 8.....13

O

OIL SEAL.....25
 OIL TANK ASY.....23
 OPEN END WRENCH-- 10mm.....29
 OPEN END WRENCH-- 17X19mm.....29
 OPEN END WRENCH-- 8X10mm.....29
 O-RING.....23
 O-RING 22.....5

P

PAWL, STARTER.....11
 PIN 3X24.....15
 PIN, METERING LEVER.....7
 PIN, PISTON.....25
 PIPE, FUEL - SPIRAL.....5
 PIPE, IMPULSE.....5
 PIPE, OIL.....23
 PIPE, OIL OUTLET.....23
 PIPE, VENT - GROMMET.....21
 PISTON KIT.....25
 PLATE.....9
 PLATE, CLUTCH.....19
 PLATE, GUIDE - INNER.....15
 PLATE, SEAL.....23
 PLATE, SPROCKET GUARD.....15
 PLATE, STARTER.....11
 PLUG.....5, 15, 21
 PLUG, FRICTION.....7
 PLUG, WELCH.....7
 PLUNGER.....23

R

REAR HANDLE ASY.....21
 REPAIR KIT.....7
 RING, PISTON.....25
 ROD, CHOKE.....5
 ROD, THROTTLE.....5
 ROPE, STARTER - 3.5X960mm.....11

S

SAWING CHAIN - 16" -- Micro-Lite.....17
 SAWING CHAIN - 18" -- Micro-Lite.....17
 SAWING CHAIN - 20" -- Micro-Lite.....17
 SCREEN.....9
 SCREEN, INLET.....7
 SCREW.....21
 SCREW 3X14.....11
 SCREW 3X6.....15
 SCREW 4X10.....15
 SCREW 4X14.....21
 SCREW 4X16.....23
 SCREW 4X18.....15



Part Description Index (continued)

SCREW 4X30.....13
 SCREW 4X6.....9, 13, 15
 SCREW 4X8.....9
 SCREW 5.....5
 SCREW 5X12.....5, 11, 15
 SCREW 5X14.....9, 11
 SCREW 5X16.....21
 SCREW 5X18.....11, 15
 SCREW 5X20.....21, 25
 SCREW 5X22.....25
 SCREW 5X32.....15
 SCREW 5X50.....5
 SCREW, CHOKE VALVE.....7
 SCREW, IDLE ADJUST.....7
 SCREW, METERING DIAPHRAGM COVER.....7
 SCREW, METERING LEVER PIN.....7
 SCREW, PUMP COVER.....7
 SCREW, THROTTLE LEVER.....7
 SCREW, THROTTLE VALVE.....7
 SCREWDRIVER -- PHILLIPS.....29
 SCREWDRIVER -- SLOTTED.....29
 SHAFT, CHOKE.....7
 SHAFT, THROTTLE.....7
 SHIELD, SNOW.....21
 SHORT BLOCK.....25
 SOCKET WRENCH -- 17X14.5mm.....29
 SOCKET WRENCH/SCREWDRIVER --
 10X19mm.....29
 SOCKET WRENCH/SCREWDRIVER --
 13X19mm.....29
 SOCKET WRENCH/SCREWDRIVER --
 17X19mm.....29
 SPACER.....11, 15
 SPACER, PISTON PIN.....25
 SPARK PLUG -- BPM-7A.....13
 SPARK PLUG -- BPMR-8Y.....13
 SPIKED BUMPER KIT.....15
 SPRING.....15, 23
 SPRING PIN 2.5X12.....15
 SPRING PIN 4X30.....21
 SPRING PIN 4X8.8.....15
 SPRING, BRAKE.....15
 SPRING, CHOKE RETURN.....7
 SPRING, CLUTCH.....19
 SPRING, IDLE ADJUST.....7
 SPRING, METERING LEVER.....7
 SPRING, RETURN.....11
 SPRING, REWIND.....11
 SPRING, THROTTLE RETURN.....7, 21
 SPROCKET GUARD ASY.....15
 SPROCKET, RIM.....19
 STARTER ASY.....11
 STOPPER, BRAKE.....15
 STUD, GUIDE BAR.....25
 SWITCH, IGNITION.....5

VENT ASY.....21

W

WASHER.....7, 11, 15, 23
 WASHER 5.....11
 WEIGHT, BRAKE.....15
 WOODRUFF KEY.....13

T

TENSIONER, CHAIN.....15
 TERMINAL, SPARK PLUG CAP.....13
 TERMINAL, SWITCH.....5
 TRIGGER, THROTTLE.....21

V

VALVE CHOKE.....7
 VALVE, CHECK.....23
 VALVE, INLET NEEDLE.....7
 VALVE, THROTTLE.....7

NOTES



ECHO, INCORPORATED

400 Oakwood Road
Lake Zurich, IL 60047 USA

WWW.ECHO-USA.COM
