



Fits Models

SRM-280T Trimmer

PARTS CATALOG
99944200700
U-Handle/Blade
Conversion
Combination Kit

ACCESSORY

ECHO, INCORPORATED

400 Oakwood Road Lake Zurich, Illinois 60047 USA

WWW.ECHO-USA.COM



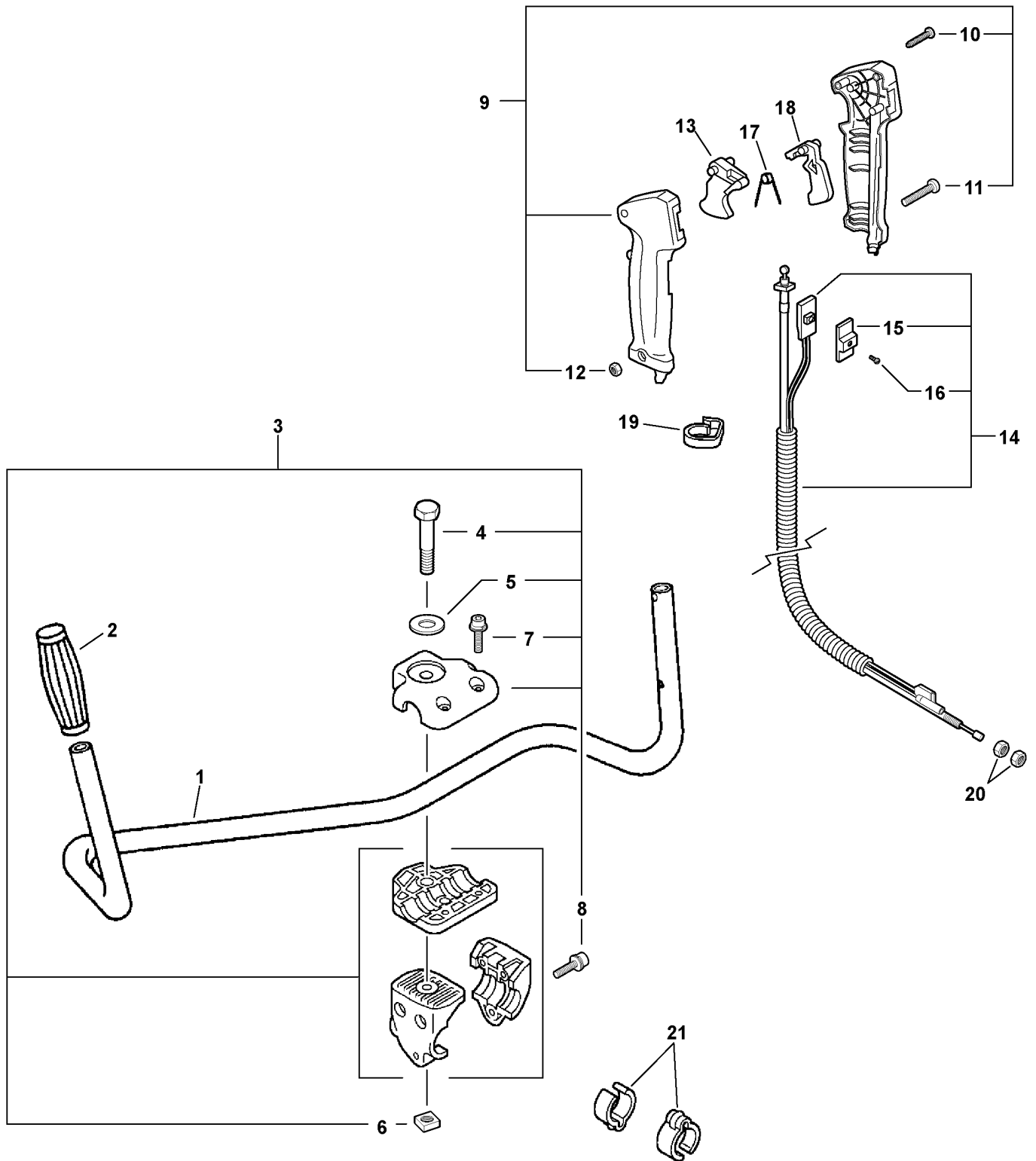
Table of Contents

Click Any Diagram Description Below To View That Diagram.

99944200700 U-Handle Blade Conversion Combo Kit

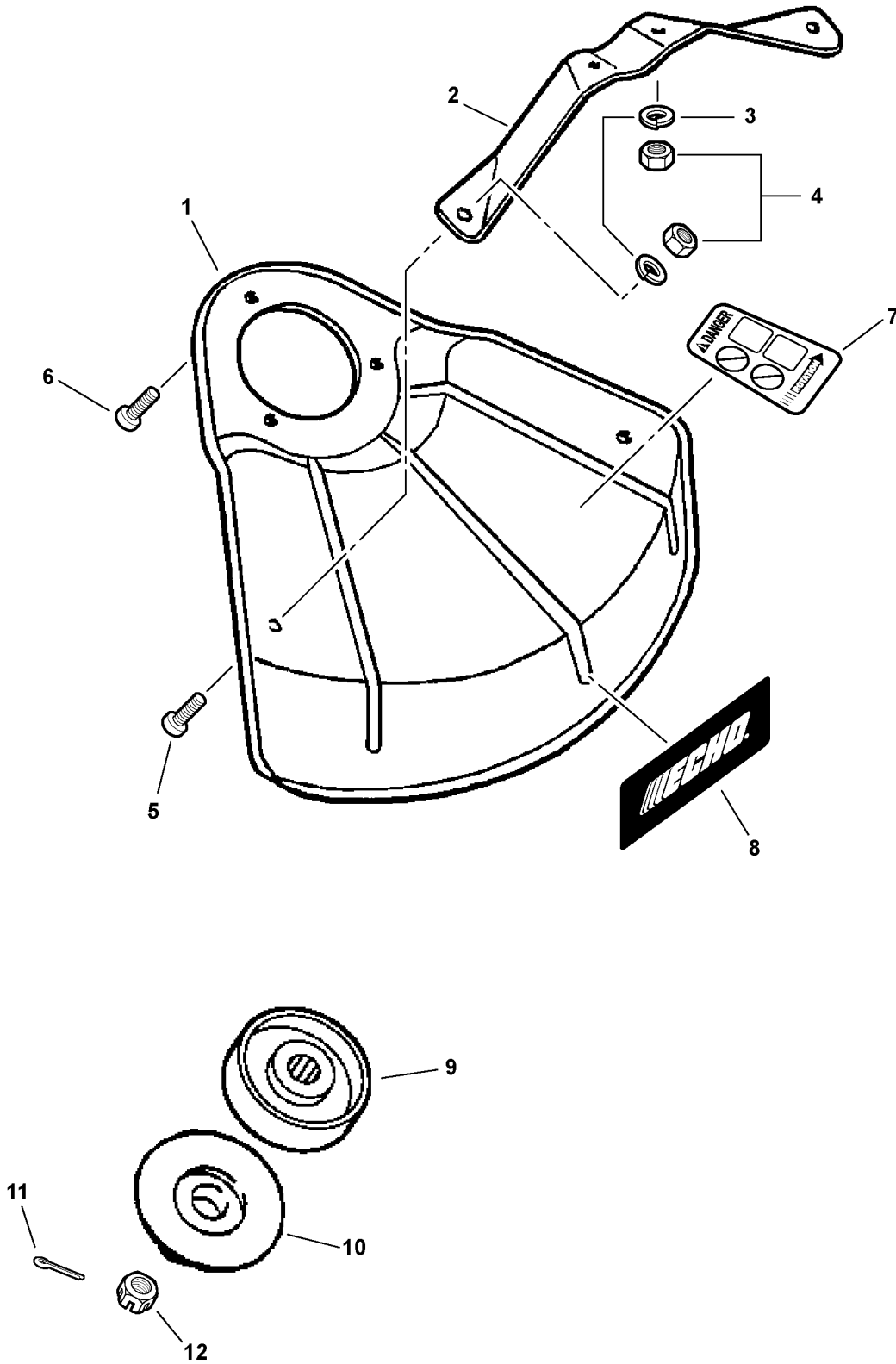
Handles, Throttle Control.....	4
Metal Shield, Adapter Plates.....	6
Shoulder Harness.....	8
Part Number Index.....	10
Part Description Index.....	11

This Page Intentionally Left Blank



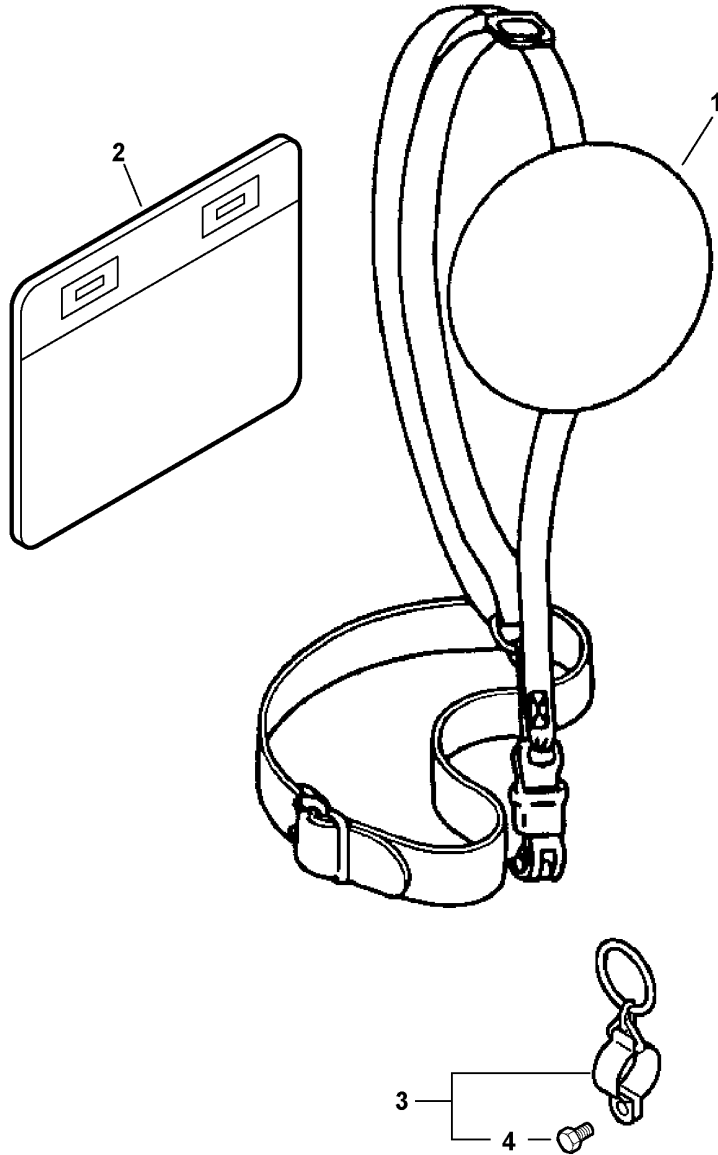
800 0009 00D

ITEM	PART NUMBER	QTY	DESCRIPTION	REMARKS
1	C400000000	1	HANDLE, FRONT	
2	35131102330	1	GRIP, HANDLE	
3	35130152130	1	HANDLE BRACKET ASY	INCLUDES ITEMS 4-8
4	35142152130	1	BOLT	
5	60501454230	1	WASHER	
6	90056550008	1	NUT	
7	90016205020	2	SCREW 5X20	
8	90016205030	3	SCREW 5X30	
9	35110247530	1	THROTTLE CONTROL ASY	INCLUDES ITEMS 10-12
10	90024603025	4	SCREW 3X25	
11	90022005030	1	SCREW 5X30	
12	90050000005	1	NUT 5	
13	17801005960	1	TRIGGER, THROTTLE	
14	V043000170	1	THROTTLE CONTROL ASY	INCLUDES ITEMS 15-16
15	A444000020	1	KNOB, SWITCH	
16	9154503010	1	SCREW 3X10	
17	17801335631	1	SPRING, THROTTLE LOCK	
18	17801205960	1	LOCKOUT, THROTTLE	
19	15911209961	1	CLIP	
20	90050200006	2	NUT 6	
21	22492452130	2	CLIP	



033 0001 00C

ITEM	PART NUMBER	QTY	DESCRIPTION	REMARKS
1	C550000200	1	SHIELD	
2	C551000040	1	BRACKET, SHIELD	
3	90060500005	4	LOCK WASHER	
4	90050000005	4	FLANGE NUT 5	
5	90022005008	2	SCREW 5X8	
6	90024205010	3	SCREW 5X10	
7	89016841031	1	LABEL - DANGER	
8	X502000320	1	LABEL - ECHO	
9	C535000330	1	PLATE, ADAPTER - UPPER	
10	C535000150	1	PLATE, ADAPTER - LOWER	
11	90030020022	1	SPLIT PIN 2X22	BULK OPTION: 89850201130 -10 PER PACKAGE
12	90051100010	1	NUT 10 - LEFT HANDED	



700 0002 00B

ITEM	PART NUMBER	QTY	DESCRIPTION	REMARKS
1	C062000070	1	HARNESS, SHOULDER	
2	C652000000	1	CUSHION	
3	C646000060	1	HARNESS RING KIT	INCLUDES ITEM 4
4	90010005012	1	BOLT 5X12	



Part Number Index

Click The Page Number After Any Part Number To View The Diagram Containing That Part.

Part Number	Page
159112099615
178010059605
178012059605
178013356315
224924521305
351102475305
351301521305
351311023305
351421521305
605014542305
890168410317
900100050129
900162050205
900162050305
900220050087
900220050305
900242050107
900246030255
900300200227
900500000055, 7
900502000065
900511000107
900565500085
900605000057
91545030105
A4440000205
C0620000709
C4000000005
C5350001507
C5350003307
C5500002007
C5510000407
C6460000609
C6520000009
V0430001705
X5020003207



Part Description Index

Click The Page Number After Any Part Description To View The Diagram Containing That Part.

B

BOLT.....5
BOLT 5X12.....9
BRACKET, SHIELD.....7

C

CLIP.....5
CUSHION.....9

F

FLANGE NUT 5.....7

G

GRIP, HANDLE.....5

H

HANDLE BRACKET ASY.....5
HANDLE, FRONT.....5
HARNESS RING KIT.....9
HARNESS, SHOULDER.....9

K

KNOB, SWITCH.....5

L

LABEL - DANGER.....7
LABEL - ECHO.....7
LOCK WASHER.....7
LOCKOUT, THROTTLE.....5

N

NUT.....5
NUT 10 - LEFT HANDED.....7
NUT 5.....5
NUT 6.....5

P

PLATE, ADAPTER - LOWER.....7
PLATE, ADAPTER - UPPER.....7

S

SCREW 3X10.....5
SCREW 3X25.....5
SCREW 5X10.....7
SCREW 5X20.....5
SCREW 5X30.....5
SCREW 5X8.....7
SHIELD.....7
SPLIT PIN 2X22.....7
SPRING, THROTTLE LOCK.....5

T

THROTTLE CONTROL ASY.....5
TRIGGER, THROTTLE.....5

W

WASHER.....5



ECHO, INCORPORATED

400 Oakwood Road
Lake Zurich, IL 60047 USA

WWW.ECHO-USA.COM
