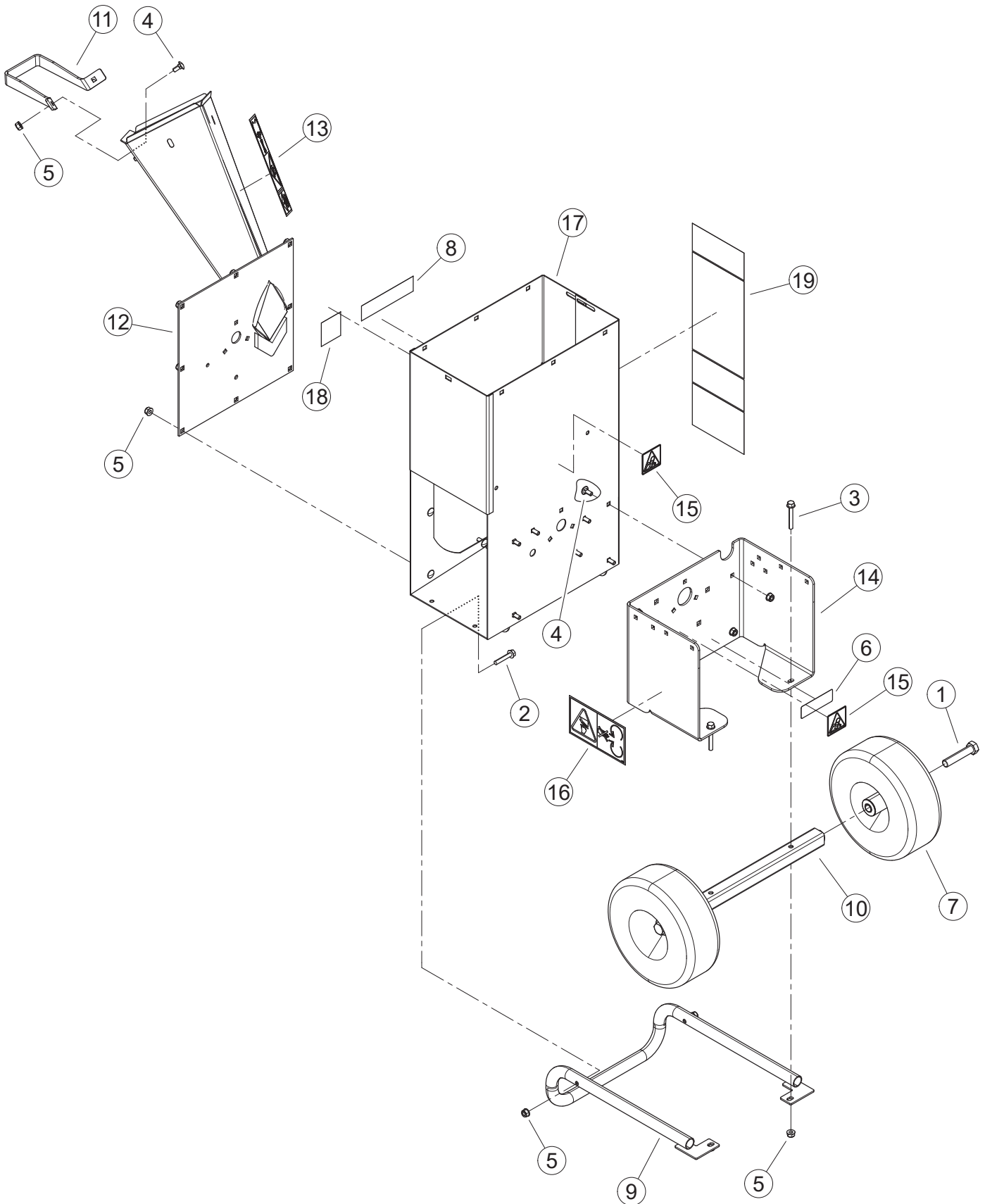

Body	2
Body	3
Rotor & Bearings	4
Rotor & Bearings	5
Engine	6
Motor	
Engine	7
Motor	
Idler	8
Idler	9
Hopper	10
Hopper	11



ITEM	PART NUMBER	QTY	DESCRIPTION
1	YH434000110	8	BOLT, 5/16-18 × 3/4 SN GR5 CRG
2	YH451000070	3	WASHER, 5/16" FENDER ZP
3	YH436000010	3	BOLT, 5/16 × 3/4 FLANGE NC
4	YH436000050	4	BOLT, 5/16 × 1 FLANGE NC
5	YH449000040	15	NUT, 5/16-18 NYLOCK FLANGE
6	YH479000840	1	BELTING, RENTAL HOPPER
7	YH479002200	1	ASSEMBLY, WIDE BODY RENTAL HOPPER W/ DECALS (includes Items 8, 9, 10 & 12).
8	YH653000180	1	+DECAL, BLADE DANGER ISO
9	YH653000190	1	+DECAL, SHREDDER SIZE ISO
10	YH653000670	2	+DECAL, ECHO
11	YH479000970	1	HANDLE, RENTAL HOPPER
12	YH653000490	1	+DECAL, SC-4213 ECHO