

EA-500 Earth Auger

Tarière
51.7 cc

S/N: E03004001001 - E03004999999



Optional Attachments & Accessories Accessories

Connexions et accessoires facultatifs Accessoires

Ice Auger Cover - 8"	99922203813	Couvercle de vilebrequin à glace - 20cm
Ice Auger Cover - 10"	99922203814	Couvercle de vilebrequin à glace - 25cm
Earth Auger With Point - 2"	99944900150	Tarière avec pointe - 5cm
Earth Auger With Point - 3"	99944900160	Tarière avec pointe - 7.5cm
Earth Auger With Point - 4"	99944900170	Tarière avec pointe - 10cm
Earth Auger With Point/Spring - 6"	99944900180	Tarière avec pointe/ressort - 15cm
Earth Auger With Point/Spring - 8"	99944900190	Tarière avec pointe/ressort - 20cm
Earth Auger With Point/Spring - 10"	99944900200	Tarière avec pointe/ressort - 25cm
Extension Shaft - 7/8 X 18"	99944900210	Arbre d'extension - 2 a 45cm
Extension Shaft - 7/8 X 12"	99944900220	Arbre d'extension - 2 a 30cm
Earth Auger Replacement Blade - 4"	99944900230	Lame de rechange pour tarière - 10cm
Earth Auger Replacement Blade - 6"	99944900240	Lame de rechange pour tarière - 15cm
Earth Auger Replacement Blade - 8"	99944900250	Lame de rechange pour tarière - 20cm
Earth Auger Replacement Blade - 10"	99944900260	Lame de rechange pour tarière - 25cm
Replacement Point	99944900270	Pointe de rechange
Ice Auger Replacement Point Kit	99944900275	Trousse de pointe pour glace
8" Ice Auger Dual Blade	99944900280	Lame double pour glace - 20cm
10" Ice Auger Dual Blade	99944900290	Lame double pour glace - 25cm
8" Ice Auger Replacement Blade	99944900300	Lame de rechange pour glace - 20cm
10" Ice Auger Replacement Blade	99944900310	Lame de rechange pour glace - 25cm

ECHO®

**TABLE OF CONTENTS - TABLE DES MATIÈRES**

Click Any Diagram Description Below To View That Diagram

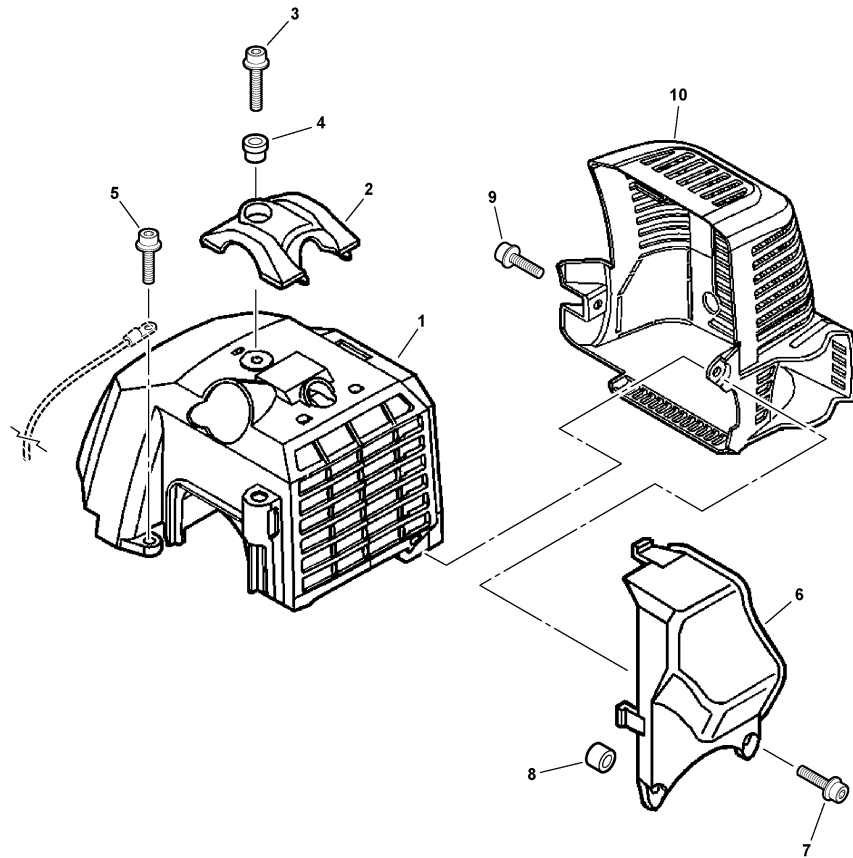
Cliquez sur n'importe quelle description de diagramme ci-après pour visualiser ce diagramme

Engine Cover, Exhaust Cover, Exhaust Deflector	3
Couvercle du moteur, obturateur d'échappement, déflecteur d'échappement	
Intake	4
Admission	
Carburetor -- WYK-216	5
Carburateur -- WYK-216	
Exhaust	7
Échappement	
Fuel System	8
Système d'alimentation en carburant	
Starter	9
Démarreur	
Fan Cover, Clutch	10
Couvercle de ventilateur, embrayage	
Ignition	11
Allumage	
Engine, Decompression Assembly S/N: 04001001 - 04001146	12
Moteur, ensemble de décompression N/S: 04001001 - 04001146	
Engine, Decompression Assembly S/N: 04001147 - 04999999	13
Moteur, ensemble de décompression N/S: 04001147 - 04999999	
Auger Bits	14
Vrilles pour tarière	
Throttle Control, Ignition Switch, Throttle Cable	16
Commande des gaz, commutateur d'allumage, câble de commande des gaz	
Handlebar Assembly, Gearcase	17
Poignée, boîtier réducteur	
Labels	18
Étiquettes	
Gasket Kit -- P021003370	19
Trousse de garnitures -- P021003370	
Part Number Index	20
Increment De Numero De La Piece	



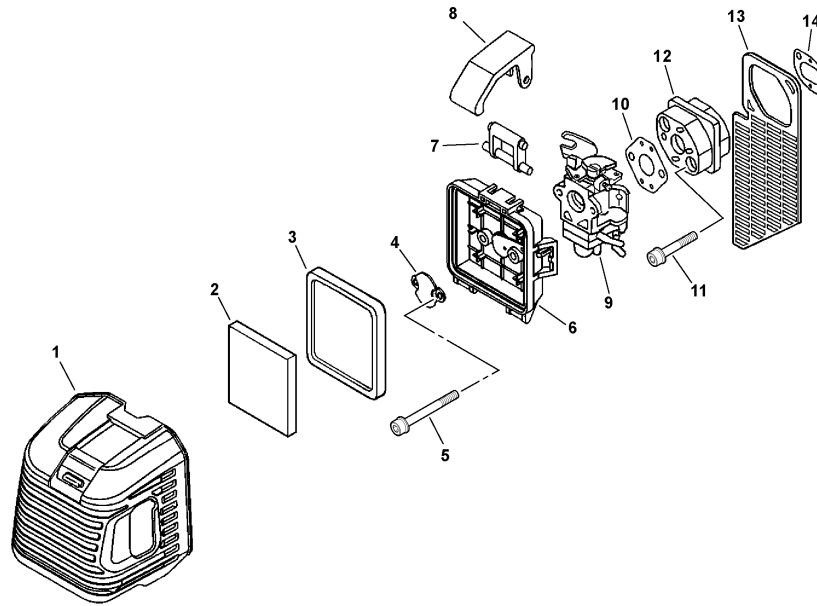
NOTES -- REMARQUES

Tarière

 Engine Cover, Exhaust Cover, Exhaust Deflector
 Couvercle du moteur, obturateur d'échappement, déflecteur d'échappement


001 0007 000

1	A16000311	1	COVER, ENGINE - GRAY	COVER, ENGINE - GRAY
2	A162000020	1	GUARD, TOP	GUARD, TOP
3	90010605020	1	SCREW - 5X20	VIS - 5X20
4	V353000020	1	COLLAR - 5	COLLAR - 5
5	90010605012	1	SCREW - 5X12	VIS - 5X12
6	A161000050	1	DEFLECTOR, EXHAUST	DEFLECTOR, EXHAUST
7	90010605025	2	SCREW - 5X25	VIS - 5X25
8	V354000100	1	SPACER	ENTRETOISE
9	90010605012	1	SCREW - 5X12	VIS - 5X12
10	A320000110	1	COVER, EXHAUST	COVER, EXHAUST



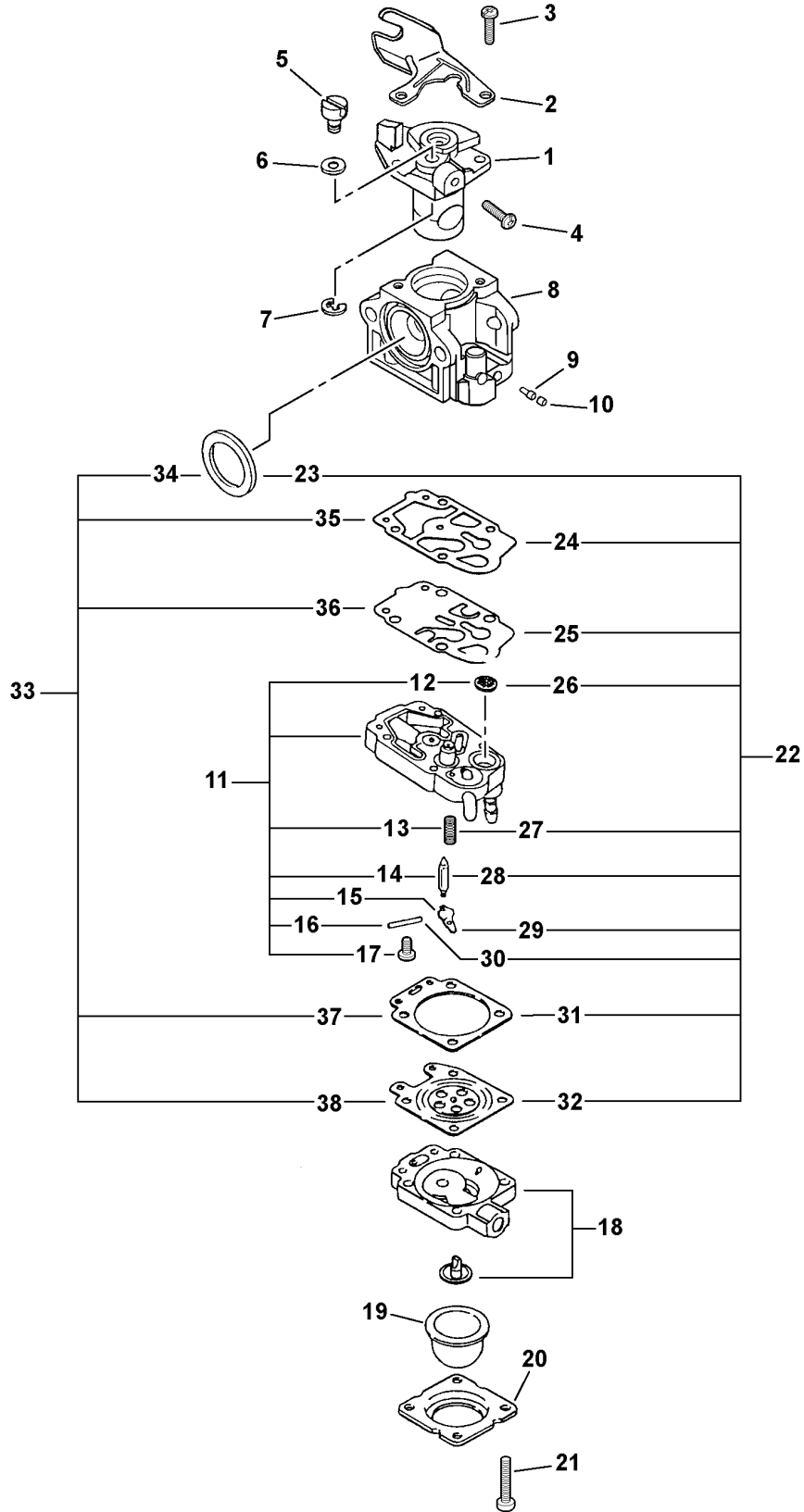
005 0004 00D

❶	A232000280	1	COVER, AIR CLEANER	COUVRE-FILTRE, AIR
2	A226000210	1	FILTER, AIR	FILTRE, AIR
3	A226000220	1	FILTER, AIR	FILTRE, AIR
4	A244000010	1	PLATE, PREVENT	PLATE, PREVENT
5	90010505055	2	SCREW - 5X55	VIS - 5X55
6	P021002491	1	CASE, AIR CLEANER	CASE, AIR CLEANER
7	J485000030	1	HINGE	HINGE
8	A235000070	1	LATCH, CLEANER LID	LATCH, CLEANER LID
9	-----	1	CARBURETOR ⁽¹⁾	CARBURATEUR ⁽¹⁾
10	V103000080	1	GASKET, INTAKE ⁽²⁾	JOINT, ADMISSION ⁽²⁾
11	90010605025	2	SCREW - 5X25	VIS - 5X25
12	A200000060	1	INSULATOR, INTAKE	INSULATEUR, INTAKE
13	A128000060	1	SHIELD, DEBRIS	SHIELD, DEBRIS
14	V103000070	1	GASKET, INTAKE ⁽²⁾	JOINT, ADMISSION ⁽²⁾

(FOOTNOTE) 1 - See Carburetor Diagram For Details
2 - Included In GASKET KIT

(APOSTILLE) 1 - Voir le diagramme de carburateur pour des détails
2 - Inclus dans le KIT de GARNITURE

Tarière

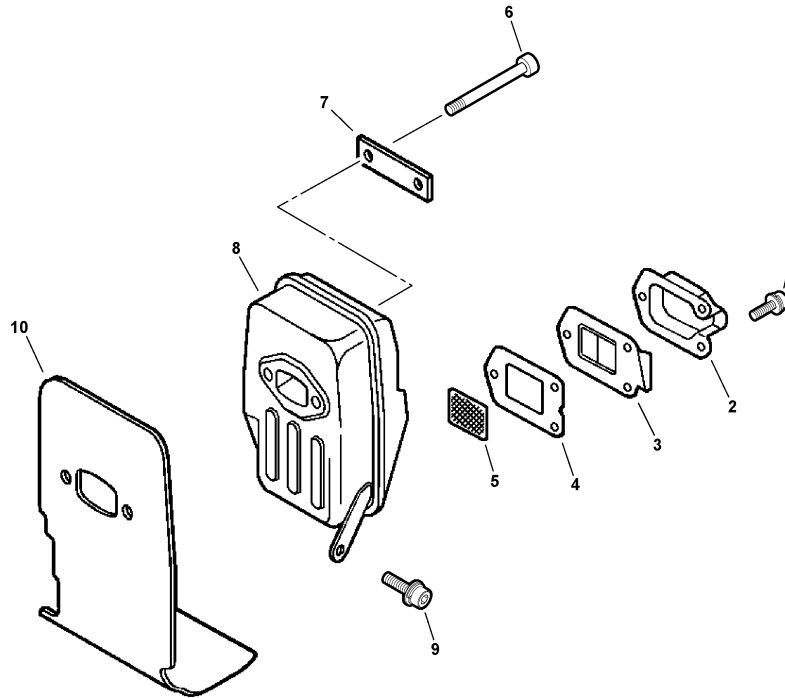
Carburetor -- WYK-216
Carburateur -- WYK-216

WYK216 0001 000

	A021001030	1	CARBURETOR -- WYK-216	CARBURETOR -- WYK-216
①	+ -----	1	THROTTLE VALVE ASY ⁽¹⁾	ASS. PAPILLON ⁽¹⁾
2	+ P003000180	1	BRACKET, CABLE	BRACKET, CABLE
3	+ 12311440630	2	SCREW	VIS
4	+ 12313440030	1	SCREW, IDLE ADJUST	VIS, RÉGLAGE RALENTI
5	+ 12317245130	1	SWIVEL	PIVOT
6	+ 12314954230	1	WASHER	RONDELLE
7	+ 12317307930	1	RING, RETAINING	BAGUE, RETENUE
8	+ -----	1	BODY, CARBURETOR ⁽¹⁾	CORPS, CARBURATEUR ⁽¹⁾
9	+ P003001130	1	NEEDLE - HIGH SPEED	POINTEAU - HAUTE VITESSE
10	+ A259000000	1	CAP, LIMITER	CAP, LIMITER
11	+ P003000510	1	PUMP BODY ASY	ASS. CORPS POMPE
12	+ -----	1	STRAINER	TAMIS
13	+ 12312205560	1	SPRING, METERING LEVER	RESSORT, LEVIER DE DOSAGE
14	+ -----	1	VALVE, INLET NEEDLE	VALVE, INLET NEEDLE
15	+ -----	1	LEVER, METERING	LEVIER, DOSAGE
16	+ 12313803930	1	PIN, METERING LEVER	GOUPILLE, LEVIER DE DOSAGE
17	+ 12313905560	1	SCREW, METERING LEVER PIN	VIS, GOUPILLE RETENUE
18	+ 12318005560	1	BASE, PURGE	BASE, PURGE
19	+ 12318140630	1	BULB, PURGE	POIRE, PURGE
20	+ 12314205560	1	RETAINER, PURGE BULB	ATTACHE, POIRE, PURGE
21	+ 12311005560	4	SCREW, PUMP COVER	VIS, COUVRE-POMPE
22	+ P003000660	1	REPAIR KIT	KIT DE RÉPARATION
23	+ -----	1	RING, PACKING	ANNEAU, JOINT
24	+ -----	1	GASKET, PUMP	JOINT, POMPE
25	+ -----	1	DIAPHRAGM, PUMP	MEMBRANE, POMPE
26	+ -----	1	STRAINER	TAMIS
27	+ 12312205560	1	SPRING, METERING LEVER	RESSORT, LEVIER DE DOSAGE
28	+ -----	1	VALVE, INLET NEEDLE	VALVE, INLET NEEDLE
29	+ -----	1	LEVER, METERING	LEVIER, DOSAGE
30	+ 12313803930	1	PIN, METERING LEVER	GOUPILLE, LEVIER DE DOSAGE
31	+ -----	1	GASKET, DIAPHRAGM	JOINT, MEMBRANE
32	+ -----	1	DIAPHRAGM, METERING	MEMBRANE, DOSAGE
33	+ P003000650	1	DIAPHRAGM/GASKET KIT	DIAPHRAGM/GASKET KIT
34	+ -----	1	RING, PACKING	ANNEAU, JOINT
35	+ -----	1	GASKET, PUMP	JOINT, POMPE
36	+ -----	1	DIAPHRAGM, PUMP	MEMBRANE, POMPE
37	+ -----	1	GASKET, DIAPHRAGM	JOINT, MEMBRANE
38	+ -----	1	DIAPHRAGM, METERING	MEMBRANE, DOSAGE

(FOOTNOTE) 1 - NOT AVAILABLE SEPARATELY

(APOSTILLE) 1 - NON DISPONIBLE SÉPARÉMENT

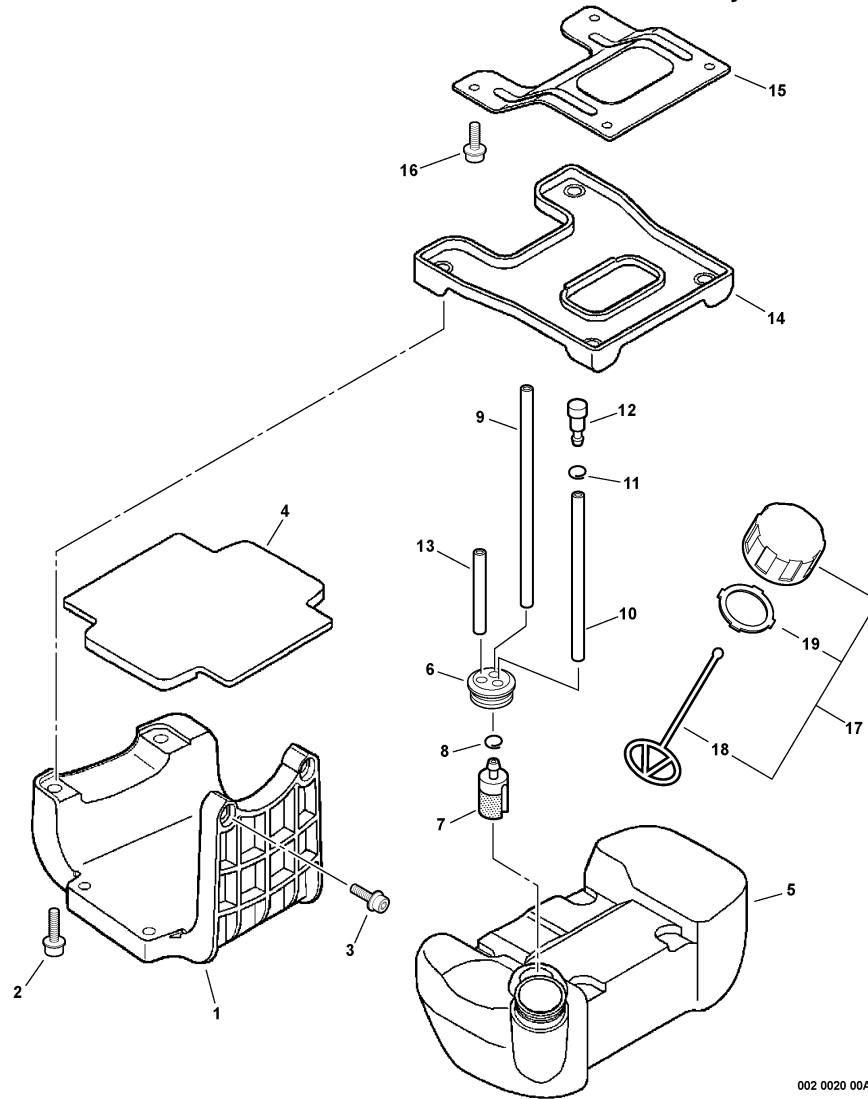


006 0038 000

1	90024204010	3	SCREW - 4X10	VIS - 4X10
2	A313000290	1	GUIDE, EXHAUST - OUTER	GUIDE, EXHAUST - OUTER
3	A313000300	1	GUIDE, EXHAUST - INNER	GUIDE, EXHAUST - INNER
4	14586642031	1	GASKET, EXHAUST ⁽¹⁾	JOINT, ÉCHAPPEMENT ⁽¹⁾
5	14586240630	1	SCREEN, SPARK ARRESTER	ÉCRAN, PARE-ÉTINCELLES
6	90010506060	2	SCREW - 6X60	VIS - 6X60
7	V150000550	1	PLATE, EYE	PLATE, EYE
8	A300000230	1	MUFFLER	SILENCIEUX
9	90016205012	1	SCREW - 5X12	VIS - 5X12
10	V104000240	1	SHIELD, EXHAUST ⁽¹⁾	BOUCLIER, ÉCHAPPEMENT ⁽¹⁾

(FOOTNOTE) 1 - Included In GASKET KIT

(APOSTILLE) 1 - Inclus dans le KIT de GARNITURE

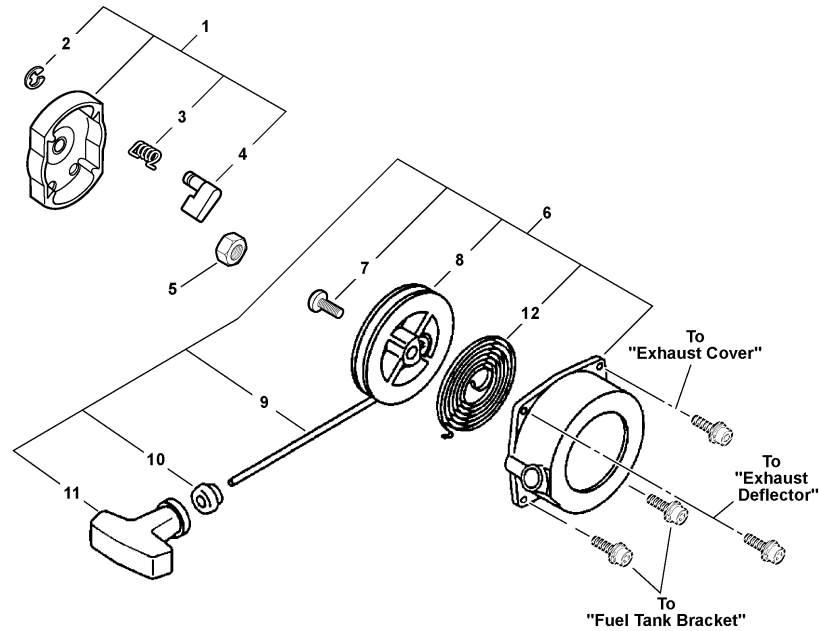


002 0020 00A

①	A393000050	1	BRACKET, FUEL TANK	BRACKET, FUEL TANK
2	90010605020	2	SCREW - 5X20	VIS - 5X20
3	90010605025	2	SCREW - 5X25	VIS - 5X25
4	A390000010	1	CUSHION, FUEL TANK	CUSHION, FUEL TANK
5	A350000131	1	TANK, FUEL	TANK, FUEL
6	13211555930	1	GROMMET	OUILLET
7	13120519830	1	FILTER, FUEL	FILTRE, ESSENCE
8	13201326630	1	CLIP	ANNEAU
9	13201053630	1	PIPE - 3X6X180 -- BLACK ⁽¹⁾	TUYAU - 3X6X180 -- NOIR ⁽¹⁾
10	13201202960	1	PIPE - 3X6X120 ⁽¹⁾	TUYAU - 3X6X120 ⁽¹⁾
11	13201326630	1	CLIP	ANNEAU
12	A356000030	1	VENT ASY	VENT ASY
13	43721520760	1	PIPE, RETURN - 3X6X60	TUYAU, RETOUR - 3X6X60
14	A390000000	1	SEAT, FUEL TANK	SEAT, FUEL TANK
15	A393000030	1	BRACKET, FUEL TANK	BRACKET, FUEL TANK
16	90010605012	4	SCREW - 5X12	VIS - 5X12
17	13100455530	1	CAP ASY - ORANGE	ASS. CAPUCHON - ORANGE
18	13105156030	1	CONNECTOR, CAP	CONNECTEUR, CAPUCHON
19	13101655830	1	GASKET	JOINT

(FOOTNOTE) 1 - RePower BULK OPTION: 90015

(APOSTILLE) 1 - OPTION EN BLOC de RePower: 90015

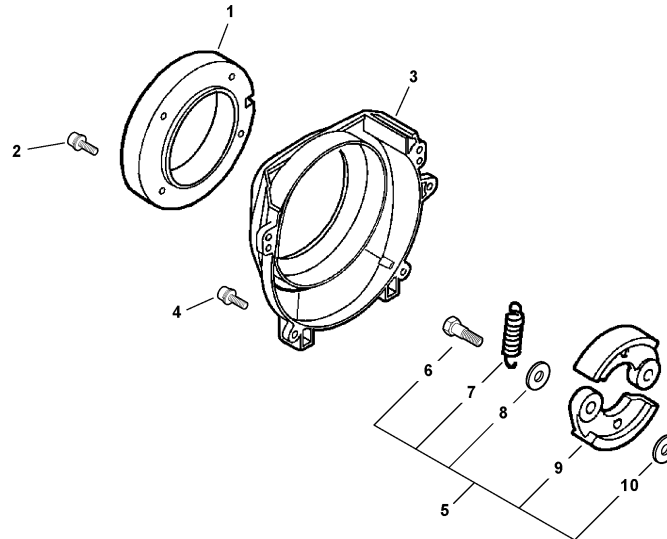


004 0037 000

①	A052000011	1	STARTER PAWL ASY	STARTER PAWL ASY
2	+ P022002100	1	RING, RETAINING - 4	RING, RETAINING - 4
3	+ 17723440630	1	SPRING, RETURN	RESSORT, RAPPEL
4	+ 17721840630	1	PAWL, STARTER	CLIQUET, DÉMARREUR
5	90050200008	1	NUT - 8	ÉCROU - 8
6	A051000190	1	STARTER ASY	STARTER ASY
7	+ 17723606910	1	SCREW	VIS
8	+ P022002080	1	SPOOL, STARTER ROPE	SPOOL, STARTER ROPE
9	+ 17722606310	1	ROPE, STARTER - 3.5X1000 ⁽¹⁾	CORDE, DÉMARREUR - 3.5X1000 ⁽¹⁾
10	+ 17722742030	1	GUIDE, ROPE	GUIDE, CORDE
11	+ 17722827030	1	GRIP, STARTER	PRISE, DÉMARREUR
12	+ 17722006310	1	SPRING, REWIND	RESSORT, REBOBINAGE

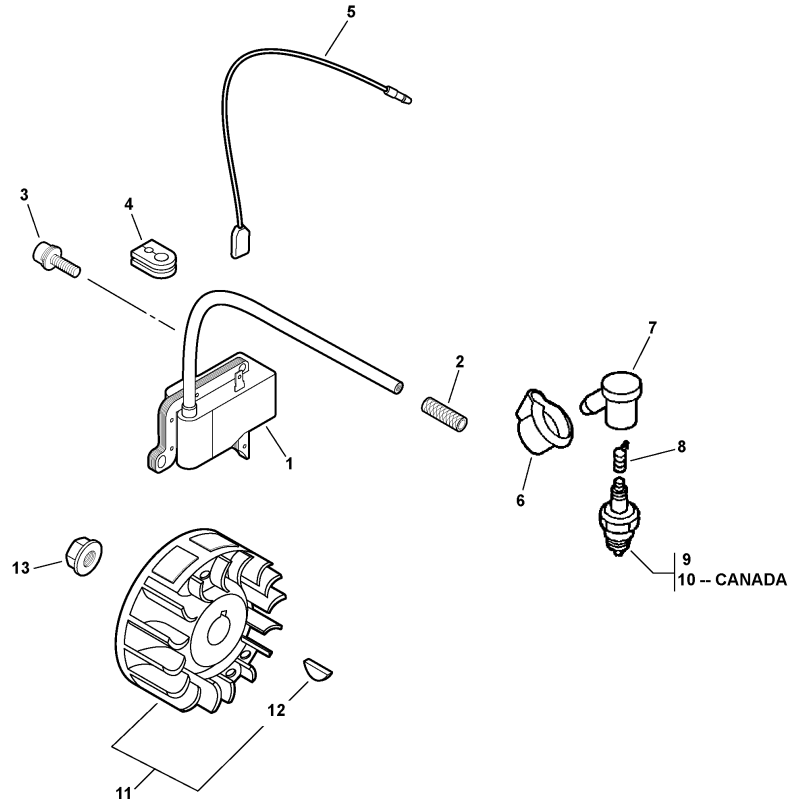
(FOOTNOTE) 1 - RePower BULK OPTION: 99944445000

(APOSTILLE) 1 - OPTION EN BLOC de RePower: 99944445000



003 0015 000

①	A551000041	1	PLATE, CLUTCH	PLATE, CLUTCH
2	90016205020	4	SCREW - 5X20	VIS - 5X20
3	A172000240	1	CASE, FAN	CASE, FAN
4	90016205020	4	SCREW - 5X20	VIS - 5X20
5	P021002481	1	CLUTCH ASY	CLUTCH ASY
6	+ A557000000	2	BOLT, CLUTCH	BOLT, CLUTCH
7	+ V451000480	1	SPRING	RESSORT
8	+ V346000000	2	WASHER - SPRING	WASHER - SPRING
9	+ A553000030	2	SHOE, CLUTCH	SHOE, CLUTCH
10	+ 17504903920	2	WASHER	RONDELLE



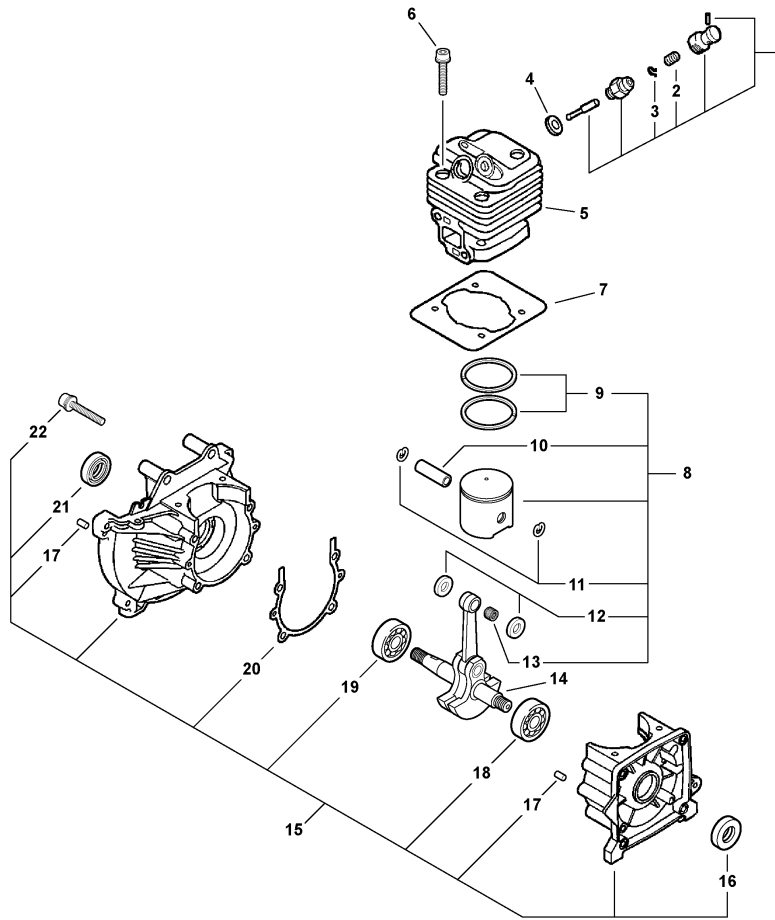
007 0037 000

1	A411000050	1	COIL, IGNITION	COIL, IGNITION
2	V475001610	1	TUBE, INSULATOR	TUBE, INSULATOR
3	90016205020	2	SCREW - 5X20	VIS - 5X20
4	15611404920	1	GROMMET	OEILLET
5	16201055630	1	LEAD	FIL
6	V141000020	1	COVER, DUST	COVER, DUST
7	A427000000	1	CAP, SPARK PLUG	CAP, SPARK PLUG
8	A426000000	1	TERMINAL, SPARK PLUG CAP	TERMINAL, SPARK PLUG CAP
9	15901010630	1	SPARK PLUG -- BPM-7A	SPARK PLUG -- BPM-7A
10	15901731730	1	SPARK PLUG -- RCJ-6Y(1)	SPARK PLUG -- RCJ-6Y(1)
11	P021005911	1	FLYWHEEL KIT	FLYWHEEL KIT
12	+ 90032303014	1	KEY, WOODRUFF - 3X14	CLÉ, DEMI-LUNE - 3X14
13	90051900010	1	NUT - 10 -- FLANGE	ÉCROU À BRIDE - 10

(FOOTNOTE) 1 - CANADA MODELS

(APOSTILLE) 1 - MODÈLES DU CANADA

Tarière

 Engine, Decompression Assembly
 Moteur, ensemble de décompression
 S/N: 04001001 - 04001146


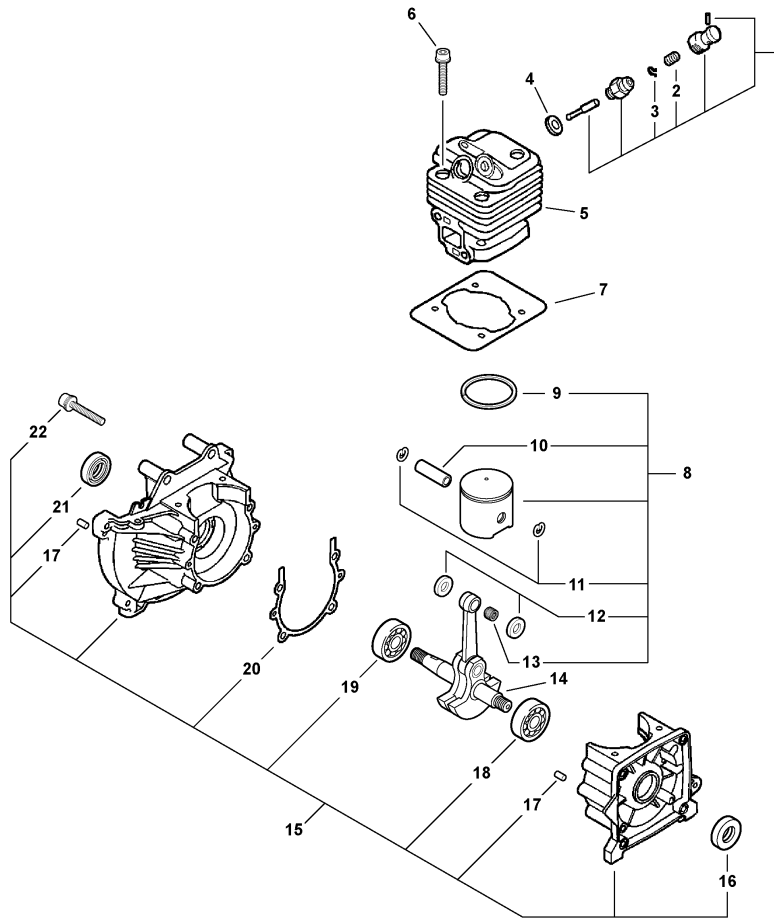
SB10XX 0005 000

1	A014000000	1	DECOMPRESSION ASY	DECOMPRESSION ASY
2	+ 10111337530	1	SPRING	RESSORT
3	+ P022002110	1	CLIP	ANNEAU
4	15902537530	1	WASHER	RONDELLE
5	A130000451	1	CYLINDER	CYLINDER
6	90016205020	4	SCREW - 5X20	VIS - 5X20
7	V100000040	1	GASKET, CYLINDER ⁽¹⁾	JOINT, CYLINDRE ⁽¹⁾
8	P021005000	1	PISTON KIT	PISTON KIT
9	+ 10001110530	2	RING, PISTON	SEGMENT, PISTON
10	+ V608000000	1	PIN, PISTON	PIN, PISTON
11	+ 10001500120	2	RING RETAINING	ANNEAU CIRCULAIRE, AXE DE PISTON
12	+ V307000060	2	WASHER - 10	WASHER - 10
13	+ 10001212331	1	BEARING, NEEDLE	ROULEMENT, AIGUILLES
14	A011000120	1	CRANKSHAFT ASY	ASS. VILEBREQUIN
15	P021002471	1	CRANKCASE KIT	KIT DE CARTER
16	+ 10021305530	1	SEAL, OIL	JOINT, HUILE
17	+ V622000020	4	PIN, DOWEL	PIN, DOWEL
18	+ 90081036202	1	BEARING, BALL - 6202	ROULEMENT, BILLES - 6202
19	+ 9403536201	1	BEARING, BALL - 6201	ROULEMENT, BILLES - 6201
20	+ V102000001	1	GASKET, CRANKCASE ⁽¹⁾	JOINT, CARTER ⁽¹⁾
21	+ 10021300310	1	SEAL, OIL	JOINT, HUILE
22	+ 90016205035	4	SCREW - 5X35	VIS - 5X35

(FOOTNOTE) 1 - Included In GASKET KIT

(APOSTILLE) 1 - Inclus dans le KIT de GARNITURE

Tarière

 Engine, Decompression Assembly
 Moteur, ensemble de décompression
 S/N: 04001147 - 04999999


SB10XX 0006 000

1	A014000000	1	DECOMPRESSION ASY	DECOMPRESSION ASY
2	+ 10111337530	1	SPRING	RESSORT
3	+ P022002110	1	CLIP	ANNEAU
4	15902537530	1	WASHER	RONDELLE
5	A130000710	1	CYLINDER	CYLINDER
6	90016205020	4	SCREW - 5X20	VIS - 5X20
7	V100000040	1	GASKET, CYLINDER ⁽¹⁾	JOINT, CYLINDRE ⁽¹⁾
8	P021009682	1	PISTON KIT	PISTON KIT
9	+ A101000070	1	RING, PISTON	RING, PISTON
10	+ V608000000	1	PIN, PISTON	PIN, PISTON
11	+ V580000010	2	RING, RETAINING - 8	RING, RETAINING - 8
12	+ V307000060	2	WASHER - 10	WASHER - 10
13	+ 10001212331	1	BEARING, NEEDLE	ROULEMENT, AIGUILLES
14	A011000120	1	CRANKSHAFT ASY	ASS. VILEBREQUIN
15	P021002471	1	CRANKCASE KIT	KIT DE CARTER
16	+ 10021305530	1	SEAL, OIL	JOINT, HUILE
17	+ V622000020	4	PIN, DOWEL	PIN, DOWEL
18	+ 90081036202	1	BEARING, BALL - 6202	ROULEMENT, BILLES - 6202
19	+ 9403536201	1	BEARING, BALL - 6201	ROULEMENT, BILLES - 6201
20	+ V102000001	1	GASKET, CRANKCASE ⁽¹⁾	JOINT, CARTER ⁽¹⁾
21	+ 10021300310	1	SEAL, OIL	JOINT, HUILE
22	+ 90016205035	4	SCREW - 5X35	VIS - 5X35

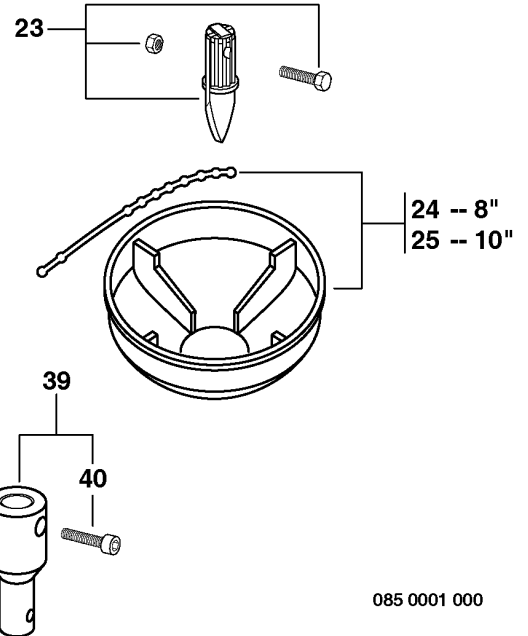
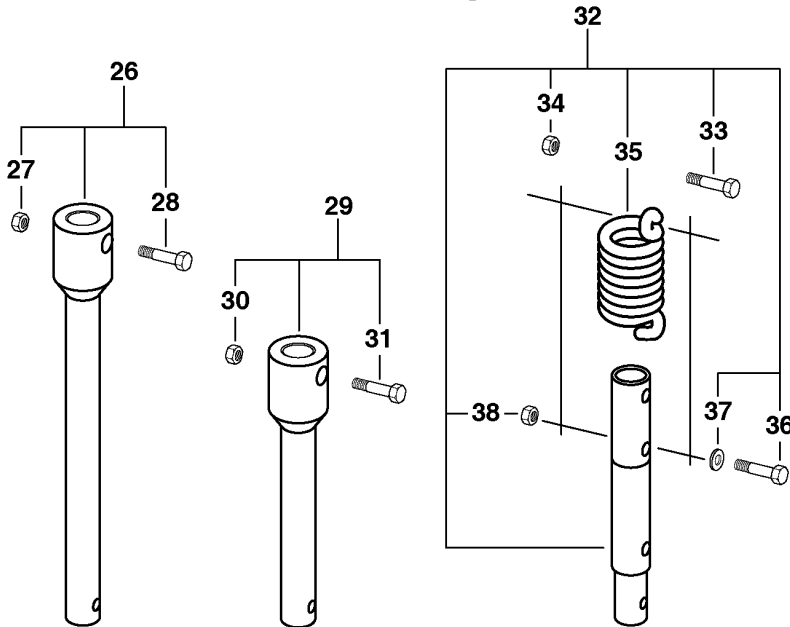
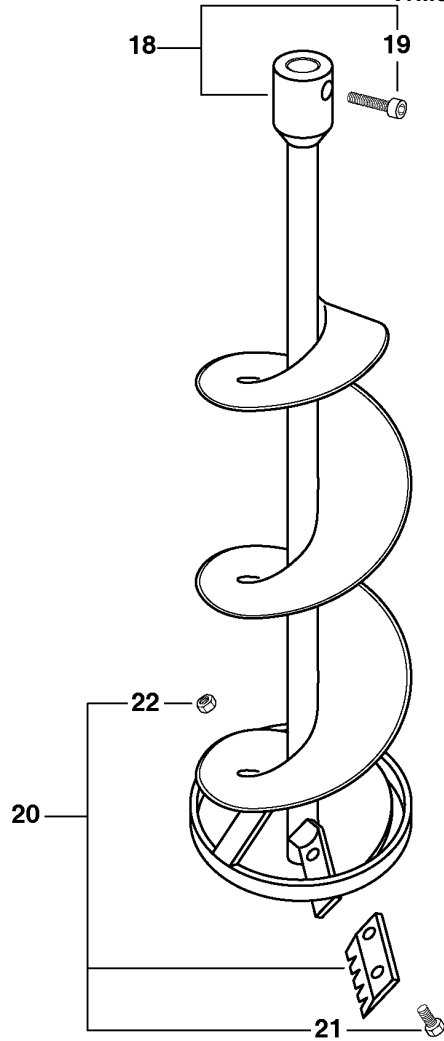
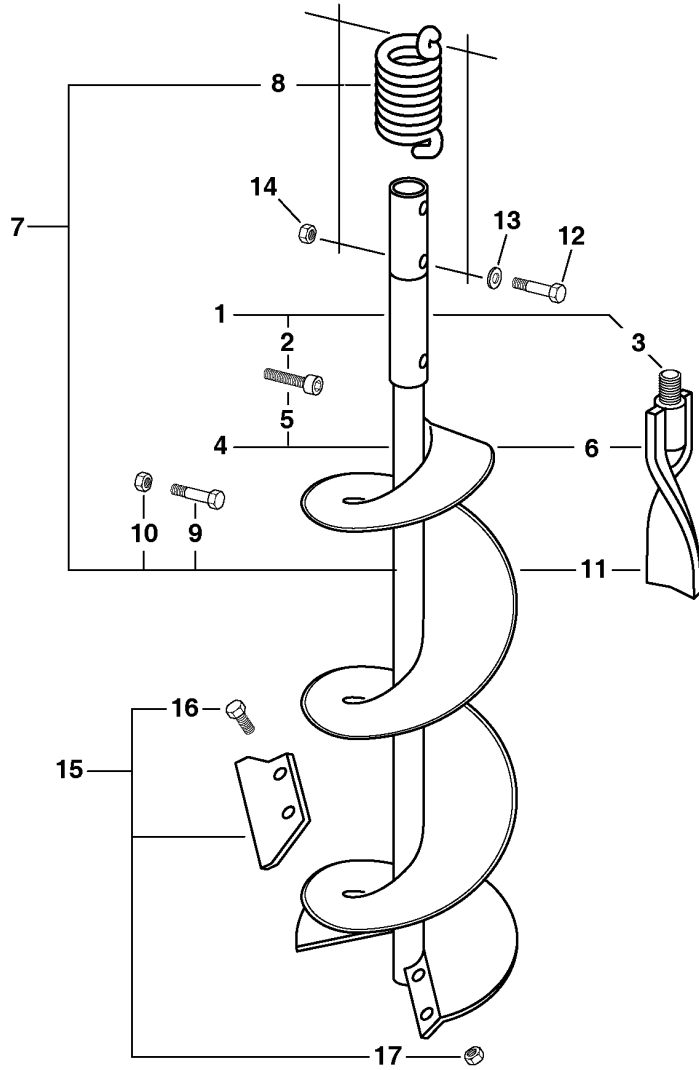
(FOOTNOTE) 1 - Included In GASKET KIT

(APOSTILLE) 1 - Inclus dans le KIT de GARNITURE

Tarière

Auger Bits

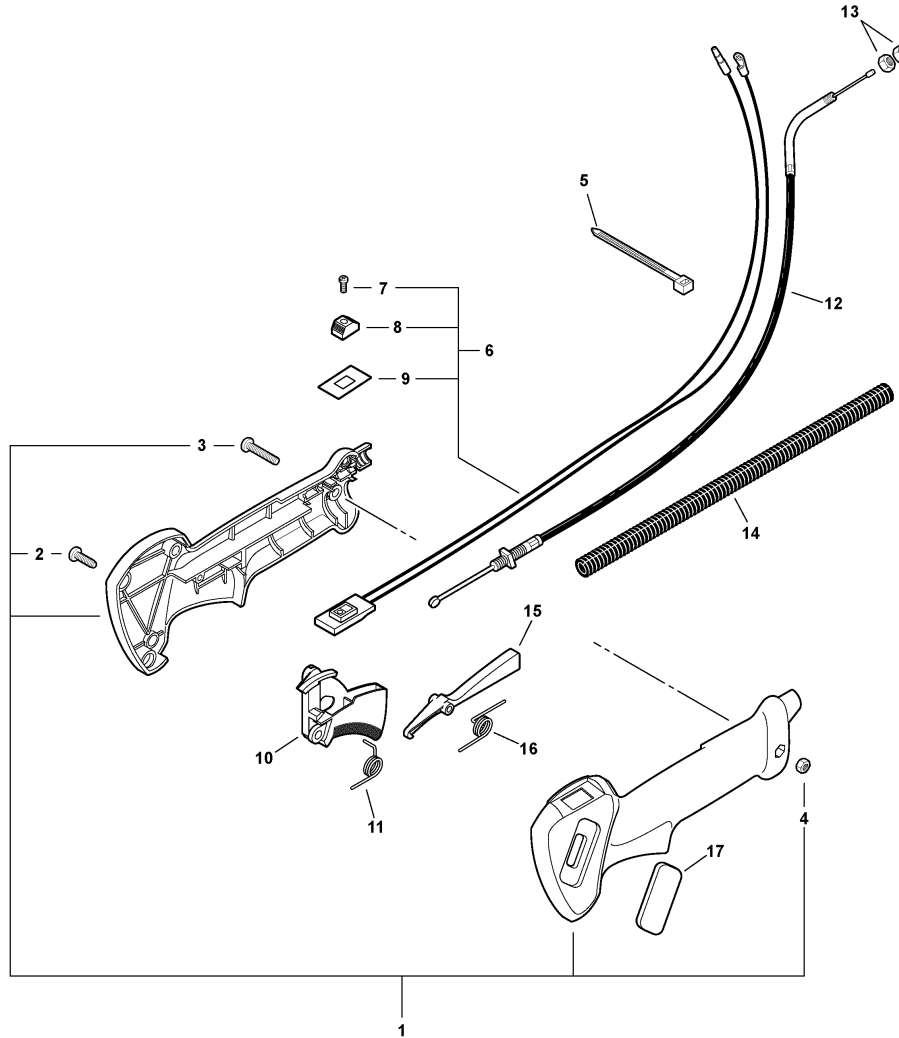
Vrilles pour tarière



085 0001 000

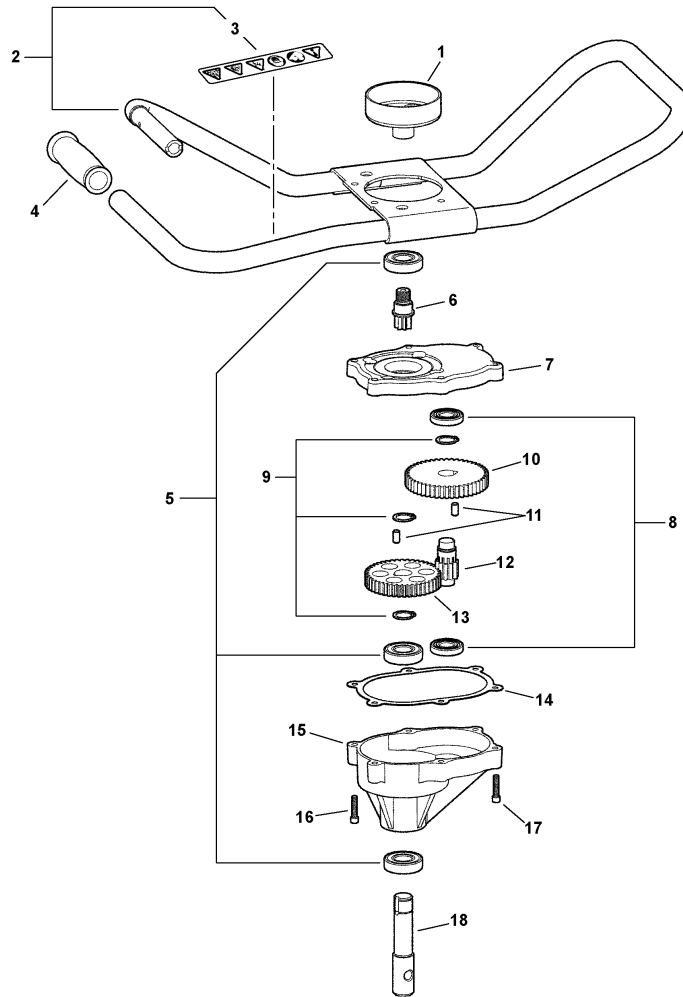
①	99944900150	1	EARTH AUGER W/POINT - 2"	FOREUSE DE TERRE AVEC POINTES - 2"
①	99944900160	1	EARTH AUGER W/POINT - 3"	FOREUSE DE TERRE AVEC POINTES - 3"
2	+ 9507121125	1	SCREW - 3/8 X 16 X 1-1/4"	VIS - 3/8 X 16 X 1-1/4"
3	+ 99944900370	1	EARTH AUGER REPLACEMENT POINT	POINTE REMPLACEMENT FOREUSE TERRE
4	99944900170	1	EARTH AUGER W/POINT - 4"	FOREUSE DE TERRE AVEC POINTES - 4"
5	+ 9507121125	1	SCREW - 3/8 X 16 X 1-1/4"	VIS - 3/8 X 16 X 1-1/4"
6	99944900270	1	EARTH AUGER REPLACEMENT POINT	POINTE DE REMPLACEMENT DE FOREUSE TERRE
7	99944900180	1	EARTH AUGER W/POINT & SPRING- 6"	FOREUSE DE TERRE POINTES & RESSORT - 6"
7	99944900190	1	EARTH AUGER W/POINT & SPRING- 8"	FOREUSE DE TERRE POINTES & RESSORT - 8"
7	99944900200	1	EARTH AUGER W/POINT & SPRING-10"	FOREUSE DE TERRE POINTES & RESSORT - 10"
8	+ V451000460	1	SPRING	RESSORT
9	+ -----	1	BOLT - 3/8-16 X 1-1/2"	BOULON - 3/8-16 X 1-1/2"
10	+ -----	1	LOCKNUT - 3/8-16	CONTRE-ÉCROU - 3/8-16
11	+ 99944900270	1	EARTH AUGER REPLACEMENT POINT	POINTE DE REMPLACEMENT DE FOREUSE TERRE
12	-----	2	BOLT - 5/16-18 X 2"	BOULON - 5/16-18 X 2"
13	-----	2	WASHER - 5/16"	RONDELLE - 5/16"
14	-----	2	LOCKNUT - 5/16-18	CONTRE-ÉCROU - 5/16-18
15	99944900230	1	EARTH AUGER BLADE KIT - 4"	KIT LAME FOREUSE TERRE - 4"
15	99944900240	1	EARTH AUGER BLADE KIT - 6"	KIT LAME FOREUSE TERRE - 6"
15	99944900250	1	EARTH AUGER BLADE KIT - 8"	KIT LAME FOREUSE TERRE - 8"
15	99944900260	1	EARTH AUGER BLADE KIT - 10"	KIT LAME FOREUSE TERRE - 10"
16	+ -----	2	BOLT - 1/4-28 X 5/8"	BOULON - 1/4-28 X 5/8"
17	+ -----	2	NUT - 1/4-28	ÉCROU - 1/4-28
18	99944900280	1	ICE AUGER DUAL BLADE - 8"	LAME DOUBLE PERCEUSE GLACE - 8"
18	99944900290	1	ICE AUGER DUAL BLADE - 10"	LAME DOUBLE PERCEUSE GLACE - 10"
19	+ 9507121125	1	SCREW - 3/8 X 16 X 1-1/4"	VIS - 3/8 X 16 X 1-1/4"
20	99944900300	1	ICE AUGER DUAL BLADE KIT - 8"	KIT LAME DOUBLE PERCEUSE GLACE - 8"
20	99944900310	1	ICE AUGER DUAL BLADE KIT - 10"	KIT LAME DOUBLE PERCEUSE GLACE - 10"
21	+ -----	4	SCREW - 5X16	VIS - 5X16
22	+ -----	4	LOCKNUT - 5	CONTRE-ÉCROU - 5
23	99944900275	1	ICE AUGER REPLACEMENT POINT KIT	KIT POINTE REMPLACEMENT PERCEUSE GLACE
24	99922203813	1	ICE AUGER COVER - 8"	COUVRE-FOREUSE DE GLACE - 8"
25	99922203814	1	ICE AUGER COVER - 10"	COUVRE-FOREUSE DE GLACE - 10"
26	99944900210	1	EXTENSION SHAFT - 18" (7/8" DIA)	ARBRE EXTENSION - 18" (7/8" DIAM)
27	+ -----	1	LOCKNUT - 3/8-16	CONTRE-ÉCROU - 3/8-16
28	+ -----	1	BOLT - 3/8-16 X 1-1/2"	BOULON - 3/8-16 X 1-1/2"
29	99944900220	1	EXTENSION SHAFT - 12" (7/8" DIA)	ARBRE EXTENSION - 12" (7/8" DIAM)
30	+ -----	1	LOCKNUT - 3/8-16	CONTRE-ÉCROU - 3/8-16
31	+ -----	1	BOLT - 3/8-16 X 1-1/2"	BOULON - 3/8-16 X 1-1/2"
32	99944900335	1	ADAPTOR W/SPRING - 7/8" TO 1"	ADAPTATEUR AVEC RESSORT - 7/8" À 1"
33	+ -----	1	BOLT - 3/8-16 X 1-1/2"	BOULON - 3/8-16 X 1-1/2"
34	+ -----	1	LOCKNUT - 3/8-16	CONTRE-ÉCROU - 3/8-16
35	+ V451000460	1	SPRING	RESSORT
36	+ -----	2	BOLT - 5/16-18 X 2"	BOULON - 5/16-18 X 2"
37	+ -----	2	WASHER - 5/16"	RONDELLE - 5/16"
38	-----	2	LOCKNUT - 5/16-18	CONTRE-ÉCROU - 5/16-18
39	99944900330	1	ADAPTOR - 7/8" TO 1"	ADAPTATEUR - 7/8" TO 1"
40	+ 9507121125	1	SCREW - 3/8 X 16 X 1-1/4"	VIS - 3/8 X 16 X 1-1/4"

Tarière

Throttle Control, Ignition Switch, Throttle Cable
Commande des gaz, commutateur d'allumage, câble de commande des gaz


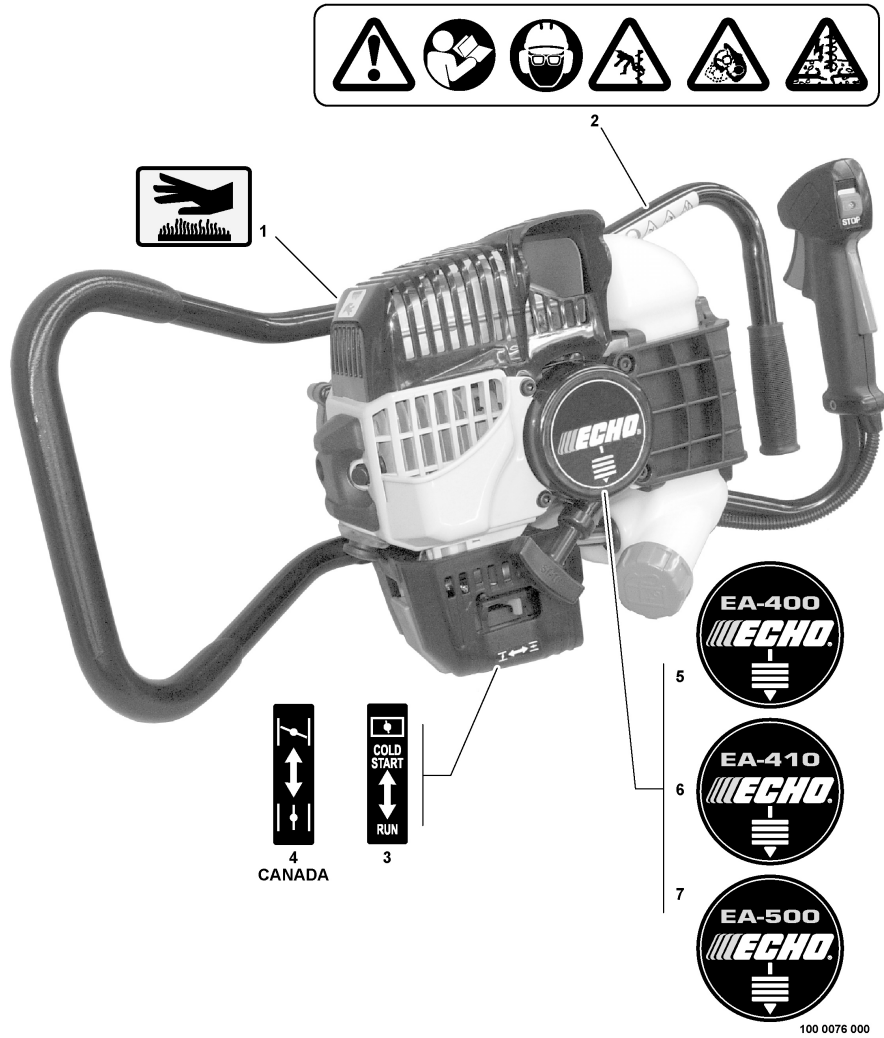
030 0043 000

①	P021002612	1	HANDLE GRIP ASY	HANDLE GRIP ASY
2	+ 90025304016	3	SCREW - 4X16 -- TAPPING	VIS - 4X16 -- AUTOTARAUDEUSE
3	+ 90023505030	1	SCREW - 5X30	VIS - 5X30
4	+ 90050000005	1	NUT - 5	ÉCROU - 5
5	17812110050	1	TIE, CABLE	ATTACHE, CÂBLE
6	A440000381	1	IGNITION SWITCH KIT	IGNITION SWITCH KIT
7	+ 9154503010	1	SCREW - 3X10	VIS - 3X10
8	+ 16341049231	1	KNOB, SWITCH - ORANGE	BOUTON, INTERRUPTEUR - ORANGE
9	+ 89015712330	1	COVER, SWITCH - STOP	COUVRE-INTERRUPTEUR
10	C450000022	1	TRIGGER, THROTTLE	TRIGGER, THROTTLE
11	V452000060	1	SPRING, TRIGGER	SPRING, TRIGGER
12	V430000490	1	CABLE, THROTTLE	CABLE, THROTTLE
13	90050200006	2	NUT - 6	ÉCROU - 6
14	V475003060	1	TUBE, PROTECTIVE - CORRUGATED	TUBE, PROTECTIVE - CORRUGATED
15	C460000011	1	LOCKOUT, THROTTLE	LOCKOUT, THROTTLE
16	V452000050	1	SPRING, THROTTLE LOCK	SPRING, THROTTLE LOCK
17	V162000130	1	PLUG	BOUCHON



086 0002 000

①	A556000490	1	DRUM, CLUTCH	DRUM, CLUTCH
2	C080000001	1	HANDLE BAR ASY	HANDLE BAR ASY
3	+ X505000920	1	LABEL - CAUTION	ÉTIQUETTE - AVERTISSEMENT
4	C403000050	1	GRIP, HANDLE	GRIP, HANDLE
5	V713000000	3	BEARING, BALL	BEARING, BALL
6	C534000142	1	GEAR, SHAFT - 7 TOOTH	GEAR, SHAFT - 7 TOOTH
7	C531000150	1	CASE, GEAR - UPPER	CASE, GEAR - UPPER
8	V712000000	2	BEARING, BALL	BEARING, BALL
9	V582000000	3	RING, RETAINING	BAGUE, RETENUE
10	V650000090	1	GEAR, SPUR - 48 TOOTH	GEAR, SPUR - 48 TOOTH
11	V624000020	2	DOWEL PIN - 0.25x0.50 in	DOWEL PIN - 0.25x0.50 in
12	C534000150	1	GEAR, SHAFT - 10 TOOTH	GEAR, SHAFT - 10 TOOTH
13	V650000100	1	GEAR, SPUR - 44 TOOTH	GEAR, SPUR - 44 TOOTH
14	V110000020	1	GASKET, GEAR CASE	GASKET, GEAR CASE
15	C531000160	1	CASE, GEAR - LOWER	CASE, GEAR - LOWER
16	9507017200	4	BOLT - 1/4-20 X 2"	BOULON - 1/4-20 X 2"
17	9507017150	2	BOLT - 1/4-20 X 1-1/2"	BOULON - 1/4-20 X 1-1/2"
18	C504000120	1	DRIVESHAFT	DRIVESHAFT



100 0076 000

1	X505002310	1	LABEL - CAUTION -- HOT	LABEL - CAUTION -- HOT
2	X505000920	1	LABEL - CAUTION	ÉTIQUETTE - AVERTISSEMENT
3	89033252730	1	LABEL - CHOKE ⁽¹⁾	ÉTIQUETTE - ÉTRANGLEUR ⁽¹⁾
4	89012152730	1	LABEL - CHOKE	ÉTIQUETTE - ÉTRANGLEUR
5	X502002890	1	LABEL - MODEL -- EA-400	LABEL - MODEL -- EA-400
6	X547001460	1	LABEL - MODEL -- EA-410	LABEL - MODEL -- EA-410
7	X503005420	1	LABEL - MODEL -- EA-500	LABEL - MODEL -- EA-500

(FOOTNOTE) 1 - CANADA MODELS

(APOSTILLE) 1 - MODÈLES DU CANADA

Tarière

Gasket Kit -- P021003370

Trousse de garnitures -- P021003370

Use Gasket Kit	Contains:	Service Number	Description
P021003370		V100000040	GASKET, CYLINDER
		V102000001	GASKET, CRANKCASE
		V103000070	GASKET, INTAKE
		V103000080	GASKET, INTAKE
		V104000240	SHIELD, EXHAUST
		14586642031	GASKET, EXHAUST

300 0029 000



P021003371

1

GASKET KIT

GASKET KIT

PART NUMBER INDEX - INCREMENT DE NUMERO DE LA PIÈCE

*Click The Page Number After Any Part Number To View The Diagram Containing That Part
Cliquez le numero de page après n'importe quel numero de la pièce pour regarder le diagramme contenant cette partie*

Part Number	Page	Part Number	Page	Part Number	Page
-----	4, 6, 15	9403536201	12, 13	C460000011	16
-----	6, 8, 9, 10, 12,	9507017150	17	C504000120	17
-----	13, 15	9507017200	17	C531000150	17
10001110530	12	9507121125	15	C531000160	17
10001212331	12, 13	99922203813	15	C534000142	17
10001500120	12	99922203814	15	C534000150	17
10021300310	12, 13	99944900150	15	J485000030	4
10021305530	12, 13	99944900160	15	P003000180	6
10111337530	12, 13	99944900170	15	P003000510	6
12311005560	6	99944900180	15	P003000650	6
12311440630	6	99944900190	15	P003000660	6
12312205560	6	99944900200	15	P003001130	6
12313440030	6	99944900210	15	P021002471	12, 13
12313803930	6	99944900220	15	P021002481	10
12313905560	6	99944900230	15	P021002491	4
12314205560	6	99944900240	15	P021002612	16
12314954230	6	99944900250	15	P021003371	19
12317245130	6	99944900260	15	P021005000	12
12317307930	6	99944900270	15	P021005911	11
12318005560	6	99944900275	15	P021009682	13
12318140630	6	99944900280	15	P022002080	9
13100455530	8	99944900290	15	P022002100	9
13101655830	8	99944900300	15	P022002110	12, 13
13105156030	8	99944900310	15	V100000040	12, 13
13120519830	8	99944900330	15	V102000001	12, 13
13201053630	8	99944900335	15	V103000070	4
13201202960	8	99944900370	15	V103000080	4
13201326630	8	A011000120	12, 13	V104000240	7
13211555930	8	A014000000	12, 13	V110000020	17
14586240630	7	A021001030	6	V141000020	11
14586642031	7	A051000190	9	V150000550	7
15611404920	11	A052000011	9	V162000130	16
15901010630	11	A101000070	13	V307000060	12, 13
15901731730	11	A128000060	4	V346000000	10
15902537530	12, 13	A130000451	12	V353000020	3
16201055630	11	A130000710	13	V354000100	3
16341049231	16	A160000311	3	V430000490	16
17504903920	10	A161000050	3	V451000460	15
17721840630	9	A162000020	3	V451000480	10
17722006310	9	A172000240	10	V452000050	16
17722606310	9	A200000060	4	V452000060	16
17722742030	9	A226000210	4	V475001610	11
17722827030	9	A226000220	4	V475003060	16
17723440630	9	A232000280	4	V580000010	13
17723606910	9	A235000070	4	V582000000	17
17812110050	16	A244000010	4	V608000000	12, 13
43721520760	8	A259000000	6	V622000020	12, 13
89012152730	18	A300000230	7	V624000020	17
89015712330	16	A313000290	7	V650000090	17
89033252730	18	A313000300	7	V650000100	17
90010505055	4	A320000110	3	V712000000	17
90010506060	7	A350000131	8	V713000000	17
90010605012	3, 8	A356000030	8	X502002890	18
90010605020	3, 8	A390000000	8	X503005420	18
90010605025	3, 4, 8	A390000010	8	X505000920	17, 18
90016205012	7	A393000030	8	X505002310	18
90016205020	10, 11, 12, 13	A393000050	8	X547001460	18
90016205035	12, 13	A411000050	11		
90023505030	16	A426000000	11		
90024204010	7	A427000000	11		
90025304016	16	A440000381	16		
90032303014	11	A551000041	10		
90050000005	16	A553000030	10		
90050200006	16	A556000490	17		
90050200008	9	A557000000	10		
90051900010	11	C080000001	17		
90081036202	12, 13	C403000050	17		
9154503010	16	C450000022	16		