

21560050 Echomatic Pro Head

Tête de Coupe Echomatic



Fits Models

| | |
|---------------------------------|----------|
| Type 1E - Pro Attachment Series | PAS-2100 |
| Pro Attachment Series | PAS-211 |
| Pro Attachment Series | PAS-225 |
| Type 1E - Pro Attachment Series | PAS-2400 |
| Type 1E - Pro Attachment Series | PAS-2601 |
| STRAIGHT SHAFT MODELS | SRM-TOUS |

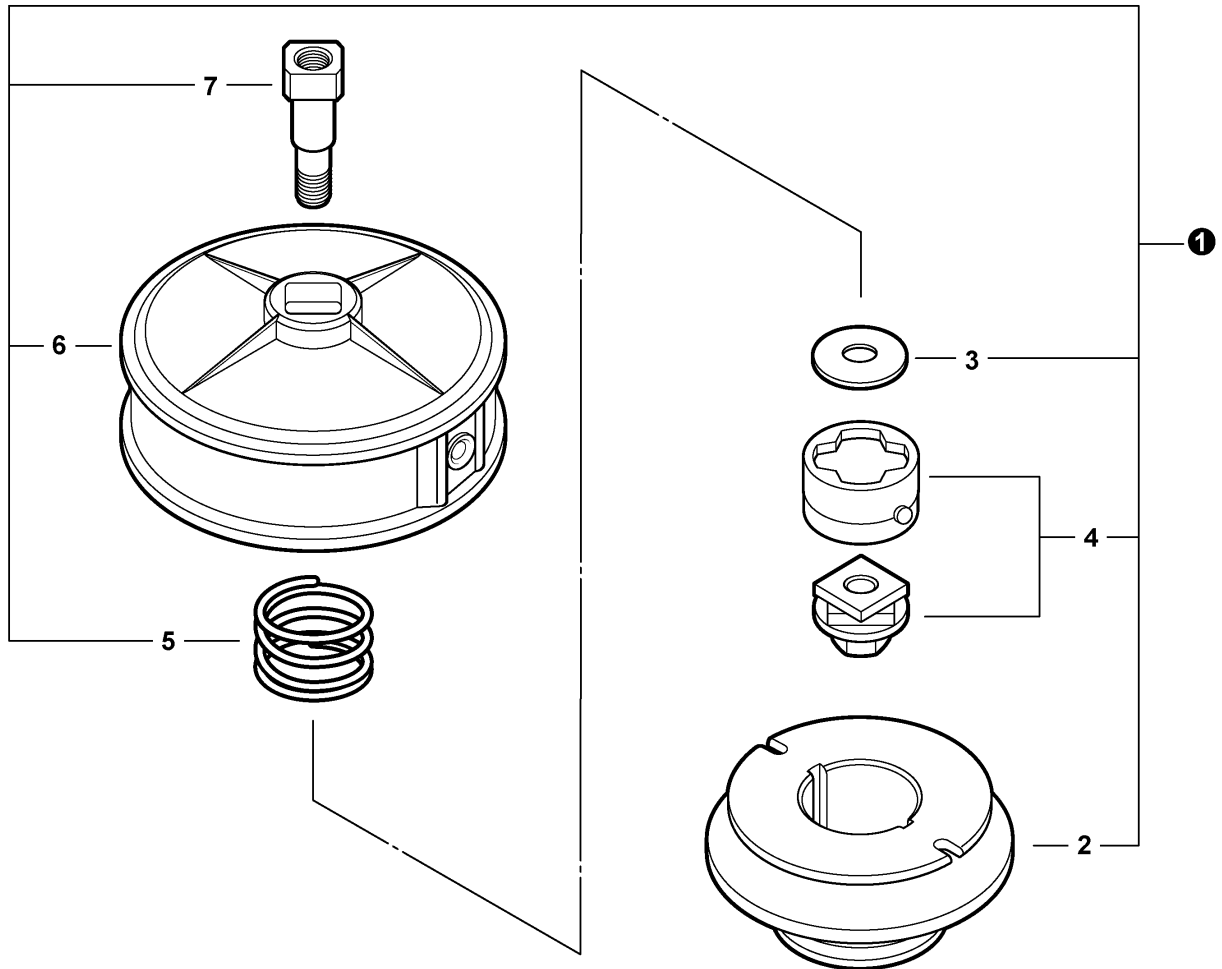
Convient aux modèles

| |
|---------------------------------|
| Type 1E - Pro Attachment Series |
| Série Pro Attachment |
| Série Pro Attachment |
| Type 1E - Pro Attachment Series |
| Type 1E - Pro Attachment Series |
| MODÈLES ARBRE DROIT |

ECHO[®]



NOTES -- REMARQUES



900 0015 000

| ① | 21560050 | SRM ECHOMATIC HEAD | TÊTE DE ECHOMATIC - SRM |
|---|----------|--------------------|-------------------------|
| 2 | + 215607 | 1 SPOOL | BOBINE |
| 3 | + 215604 | 1 WASHER | RONDELLE |
| 4 | + 215609 | 1 CAM KIT | KIT CAME |
| 5 | + 215603 | 1 SPRING | RESSORT |
| 6 | + 215602 | 1 DRUM ASY | ASS. TAMBOUR |
| 7 | + 215601 | 1 BOLT, SHAFT | BOULON, ARBRE |